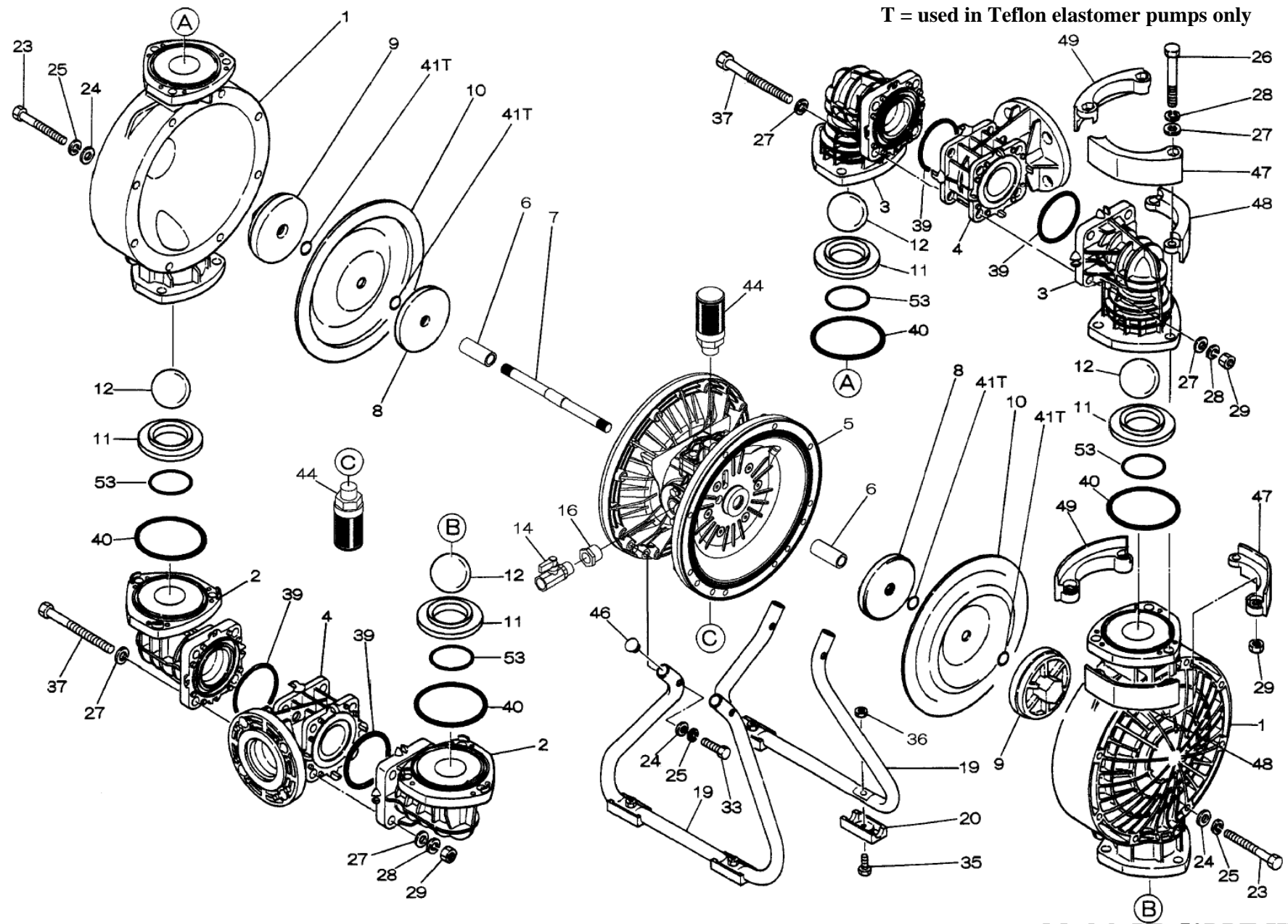


T = used in Teflon elastomer pumps only



XDP

Model: DP-50BPT-HD  
Part # 854470

| Reference |                    |      |          |
|-----------|--------------------|------|----------|
| No.       | Description        | Q'ty | Part No. |
| 1         | Out Chamber        | 2    | 780148   |
| 2         | In Manifold        | 2    | 780245   |
| 3         | Out Manifold       | 2    | 780151   |
| 4         | Center Manifold    | 2    | 780249   |
| 5         | Body Assembly      | 1    | 804778   |
| 6         | Center Bushing     | 2    | 716219   |
| 7T        | Center Rod         | 1    | 716250   |
| 8T        | Center Disk        | 2    | 707822   |
| 9T        | Center Disk        | 2    | 780063   |
| 10        | Diaphragm          | 2    | 770815   |
| 11        | Valve Seat         | 4    | 772097   |
| 12        | Ball               | 4    | 770693   |
| 14        | Ball Valve         | 1    | 684322   |
| 19        | Stand Body         | 2    | 711926   |
| 20        | Cushion            | 4    | 771865   |
| 23        | Bolt               | 16   | 686156   |
| 24        | Plain Washer       | 24   | 631330   |
| 25        | Spring Lock Washer | 24   | 680257   |
| 26        | Bolt               | 12   | 621213   |
| 27        | Plain Washer       | 28   | 631331   |
| 28        | Spring Lock Washer | 20   | 680607   |
| 29        | Nut                | 20   | 628014   |
| 33        | Bolt               | 8    | 621179   |
| 35        | Bolt               | 4    | 621149   |
| 36        | Nut with Flange    | 4    | 683837   |
| 37        | Bolt               | 8    | 684592   |
| 39        | O-ring             | 4    | 643064   |
| 40        | O-ring             | 4    | 643069   |
| 41T       | O-ring             | 4    | 643015   |
| 44        | Silencer           | 2    | 804697   |
| 46        | Cap                | 4    | 683641   |
| 47        | Protector A        | 8    | 771786   |
| 48        | Protector B        | 8    | 771787   |
| 49        | Protector C        | 8    | 771788   |
| 53        | O-ring             | 4    | 643139   |

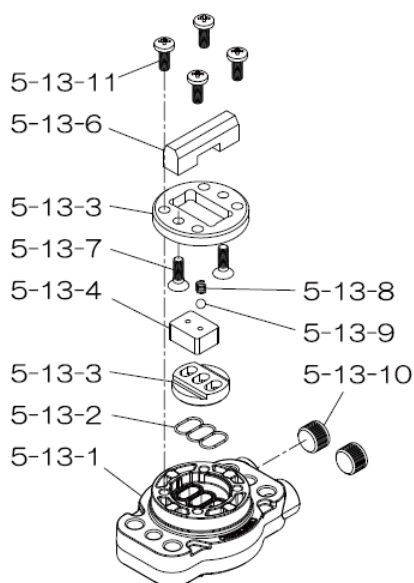
**Repair Kits**

**K50-PT Liquid Side Kit includes the following:**

|     |           |   |        |
|-----|-----------|---|--------|
| 10  | Diaphragm | 2 | 770815 |
| 40  | O-ring    | 4 | 643069 |
| 53  | O-ring    | 4 | 643139 |
| 41T | O-ring    | 4 | 643015 |
| 12  | Ball      | 4 | 770693 |

**K45-AM-DP-HD Air Side Kit includes the following:**

|      |                  |   |        |
|------|------------------|---|--------|
| 5-3  | Throat Bearing   | 2 | 773048 |
| 5-5  | Center Rod Guide | 1 | 773047 |
| 5-6  | O-ring           | 2 | 640023 |
| 5-7  | O-ring           | 2 | 640133 |
| 5-8  | Gasket           | 2 | 773040 |
| 5-9  | Gasket           | 2 | 773041 |
| 5-10 | O-ring           | 2 | 640138 |
| 5-11 | O-ring           | 8 | 640007 |
| 5-14 | O-ring           | 2 | 640134 |
| 5-21 | Bushing          | 4 | 773067 |
| 5-22 | Spring           | 2 | 684537 |
| 5-24 | Pin              | 2 | 700231 |



**804784 Valve Body Assembly**

| Reference |                 |      |          |
|-----------|-----------------|------|----------|
| No.       | Description     | Q'ty | Part No. |
| 5-13-1    | Valve Body      | 1    | 716244   |
| 5-13-2    | Gasket          | 1    | 773042   |
| 5-13-3    | Valve Seat      | 1    | 716246   |
| 5-13-4    | Block           | 1    | 773065   |
| 5-13-5    | Block Holder    | 1    | 716245   |
| 5-13-6    | Valve Guide     | 1    | 773064   |
| 5-13-7    | Flat Head Screw | 2    | 684384   |
| 5-13-8    | Spring          | 1    | 706612   |
| 5-13-9    | Ball            | 1    | 686271   |
| 5-13-10   | Plug            | 2    | 772934   |
| 5-13-11   | Screw           | 4    | 602299   |

XDP

336B-00\_2011

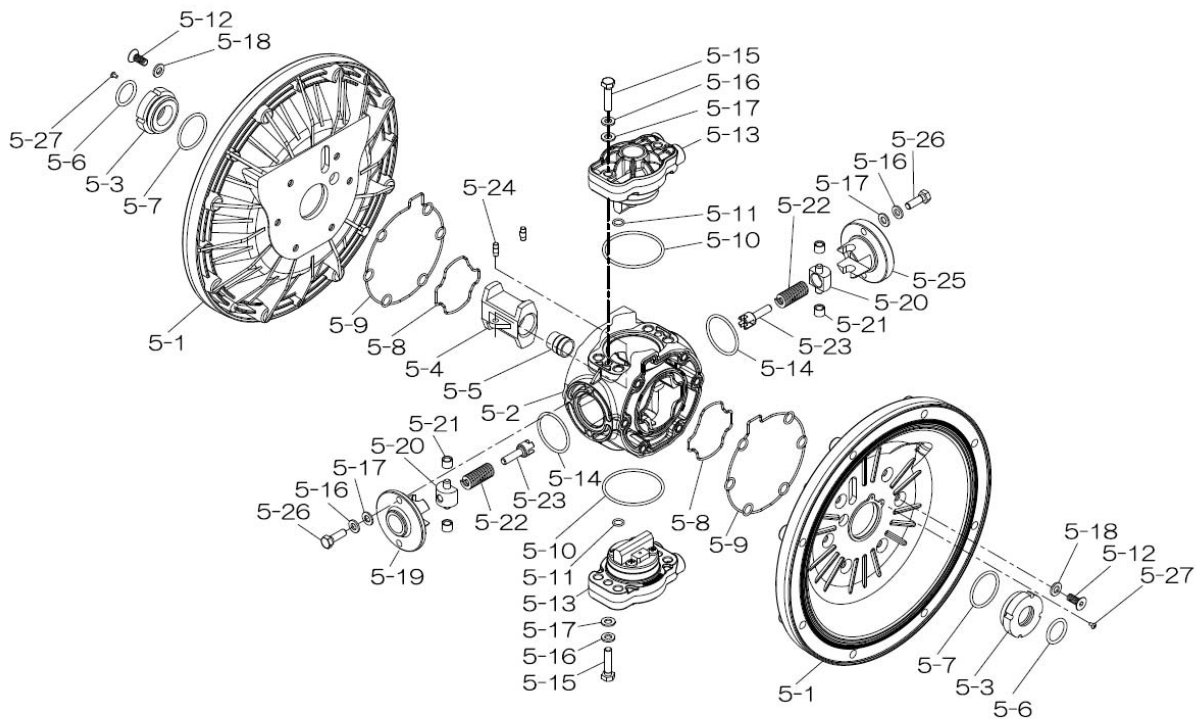
Yamada America, Inc.  
 955 East Algonquin Rd  
 Arlington Heights, IL 60005  
 Phone: 847.631.9200  
 Fax: 847.631.9273  
 www.yamadapump.com



Part # 854470

804778 Body Assembly

| Reference |                     |      |          |
|-----------|---------------------|------|----------|
| No.       | Description         | Q'ty | Part No. |
| 5-1       | Air Chamber         | 2    | 716247   |
| 5-2       | Body                | 1    | 716256   |
| 5-3       | Throat Bearing      | 2    | 773048   |
| 5-4       | Valve Switcher      | 1    | 716214   |
| 5-5       | Center Rod Guide    | 1    | 773047   |
| 5-6       | O-ring              | 2    | 640023   |
| 5-7       | O-ring              | 2    | 640133   |
| 5-8       | Gasket              | 2    | 773040   |
| 5-9       | Gasket              | 2    | 773041   |
| 5-10      | O-ring              | 2    | 640138   |
| 5-11      | O-ring              | 8    | 640007   |
| 5-12      | Flat Head Bolt      | 12   | 683812   |
| 5-13      | Valve Body Assembly | 2    | 804784   |
| 5-14      | O-ring              | 2    | 640134   |
| 5-15      | Bolt                | 4    | 611153   |
| 5-16      | Spring Washer       | 8    | 631420   |
| 5-17      | Plain Washer        | 8    | 631013   |
| 5-18      | Plain Washer        | 12   | 684987   |
| 5-19      | Retainer B          | 1    | 716249   |
| 5-20      | Spring Retainer     | 2    | 713620   |
| 5-21      | Bushing             | 4    | 773067   |
| 5-22      | Spring              | 2    | 684537   |
| 5-23      | Trip Arm            | 2    | 714446   |
| 5-24      | Pin                 | 2    | 700231   |
| 5-25      | Retainer A          | 1    | 716216   |
| 5-26      | Bolt                | 4    | 611149   |
| 5-27      | Tapping Screws      | 2    | 686337   |



XDP

336B-00\_2011

Yamada America, Inc.  
 955 East Algonquin Rd  
 Arlington Heights, IL 60005  
 Phone: 847.631.9200  
 Fax: 847.631.9273  
 www.yamadapump.com

