

EXPLODED VIEW & PARTS LISTING

Air Operated Double Diaphragm Pump

Model: NDP-20BSU

Model#: 855228

Ultimate Diaphragm Pump



To Purchase:

☎ 800-990-7867

✉ sales@yamadapump.com

📍 Find My Rep

More Information:

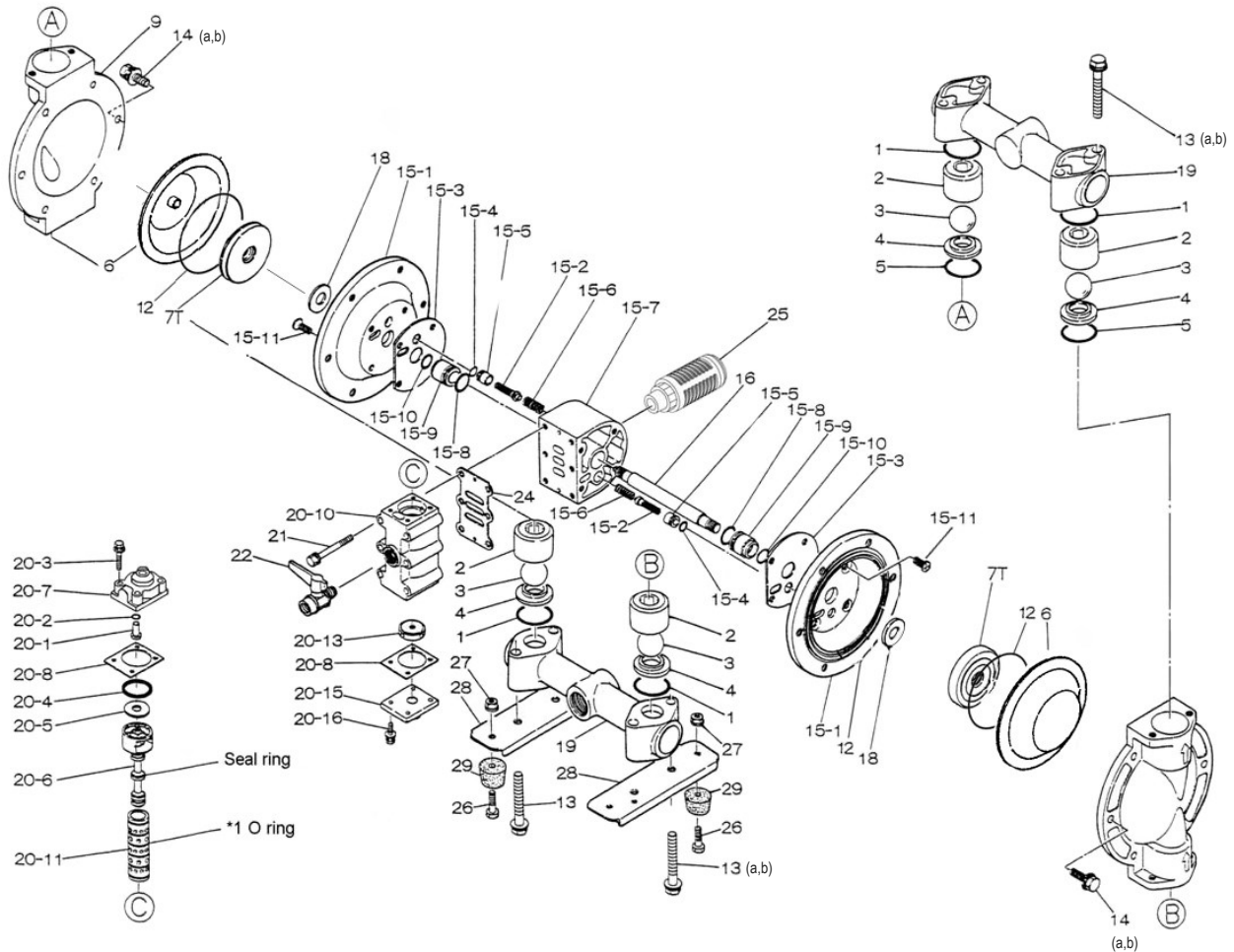
▶ YouTube: @yamadapump

🌐 yamadapump.com

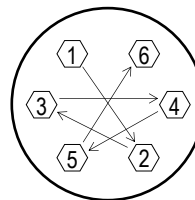
Data Sheets | CAD Drawings | Manuals Literature | BOM | Performance Curves

Note: starting serial # 487505

Trial Program



| REF. No. | PART No. | DESCRIPTION | QTY. | REORDER |
|-----------|---------------|-------------------------|----------|---------|
| 1 | 643036 | O-RING | 4 | |
| 2 | 711701 | BALL GUIDE | 4 | |
| 3 | 770736 | BALL | 4 | |
| 4 | 711705 | VALVE SEAT | 4 | |
| 5 | 771131 | O-RING | 4 | |
| 6 | 832549 | DIAPHRAGM | 2 | |
| 7T | 772562 | CENTER DISK | 2 | |
| 9 | 711693 | OUT CHAMBER | 2 | |
| 12 | 640151 | O-RING | 2 | |
| 13a | 621159 | BOLT | 8 | |
| 13b | 631936 | WAVE WASHER | 8 | |
| 14a | 621151 | BOLT | 12 | |
| 14b | 631936 | WAVE WASHER | 12 | |
| 15 | 804878 | BODY ASSY. | 1 | |
| 15-1 | 715937 | AIR CHAMBER | 2 | |
| 15-2 | 802360 | PILOT VALVE ASSY. | 2 | |
| 15-3 | 771057 | GASKET | 2 | |
| 15-4 | 640009 | O-RING | 2 | |
| 15-5 | 771945 | VALVE SEAT | 2 | |
| 15-6 | 708666 | SPRING | 2 | |
| 15-7 | 709812 | BODY | 1 | |
| 15-8 | 685276 | O-RING | 2 | |
| 15-9 | 772703 | THROAT BEARING | 2 | |
| 15-10 | 685414 | PACKING | 2 | |
| 15-11 | 682486 | FLAT HEAD BOLT | 8 | |
| 16 | 714674 | CENTER ROD | 1 | |
| 18 | 771054 | CUSHION | 2 | |
| 19 | 831270 | MANIFOLD | 2 | |
| 20 | 802362 | VALVE BODY ASSY. | 1 | |
| 20-1 | 709161 | RESET BUTTON | 1 | |
| 20-2 | 640005 | O-RING | 1 | |
| 20-3 | 682704 | BOLT | 4 | |
| 20-4 | 771241 | PACKING | 1 | |
| 20-5 | 715961 | PLAIN WASHER | 1 | |
| 20-6 | 802400 | C SPOOL VALVE ASSY. | 1 | |
| 20-6-seal | 771053 | SEAL RING | 5 | |
| 20-7 | 710221 | CAP A | 1 | |
| 20-8 | 771240 | GASKET | 2 | |
| 20-10 | 711639 | VALVE BODY | 1 | |
| 20-11 | 803931 | SLEEVE ASSY. | 1 | |
| 20-11-*1 | 771080 | O-RING | 6 | |
| 20-13 | 771914 | CUSHION | 1 | |
| 20-15 | 709305 | CAP B | 1 | |
| 20-16 | 682262 | BOLT | 4 | |
| 21 | 682265 | BOLT | 6 | |
| 22 | 686968 | BALL VALVE | 1 | |
| 24 | 771056 | GASKET | 1 | |
| 25 | 804697 | SILENCER | 1 | |
| 26 | 611148 | BOLT | 4 | |
| 27 | 682276 | NUT WITH FLANGE | 4 | |
| 28 | 709157 | PUMP BASE | 2 | |
| 29 | 770551 | RUBBER FOOT | 4 | |
| 31T | 643013 | O-RING | 4 | |
| KIT | K20-MU-1 | LIQUID SIDE KIT | | |
| KIT | K225-AM | AIR MOTOR KIT | | |



Tightening Torque:

- | | |
|-------------------------|----------------------|
| Out Chambers | 10 ft-lbf {13 N-m} |
| Center Rod | 29 ft-lbf {40 N-m} |
| Manifold Retainer Bolts | 15 ft-lbf {20 N-m} |
| Valve Body Bolts | 4.5 ft-lbf {6 N-m} |
| Cap A, Cap B | 5.5 ft-lbf {7.5 N-m} |

General Tools:

- Socket wrenches - 10mm, 12mm, 13mm, 17mm, 22mm
- Hexagonal box wrench - 5mm
- Open-end wrenches - 22mm

Special Tools (sold separately):

- Sleeve remover (713148)

Miscellaneous:

- Assembly Oil - turbine oil class 1 (equivalent to ISO VEGA32 grade)
- Nuts - M14 x 1.5
- Urea grease grade (NLGI) No. 2
- Lubricants equivalent to (Loctite Anti-Seize 767)

| Customer Notes | |
|----------------------|-------|
| Model #: | _____ |
| Description: | _____ |
| Serial #: | _____ |
| Date Installed: | _____ |
| Department Location: | _____ |
| Tag/Project: | _____ |