

EXPLODED VIEW & PARTS LISTING

Air Operated Double Diaphragm Pump

Model: DP-10BPU
Ultimate Diaphragm Series
Polypropylene



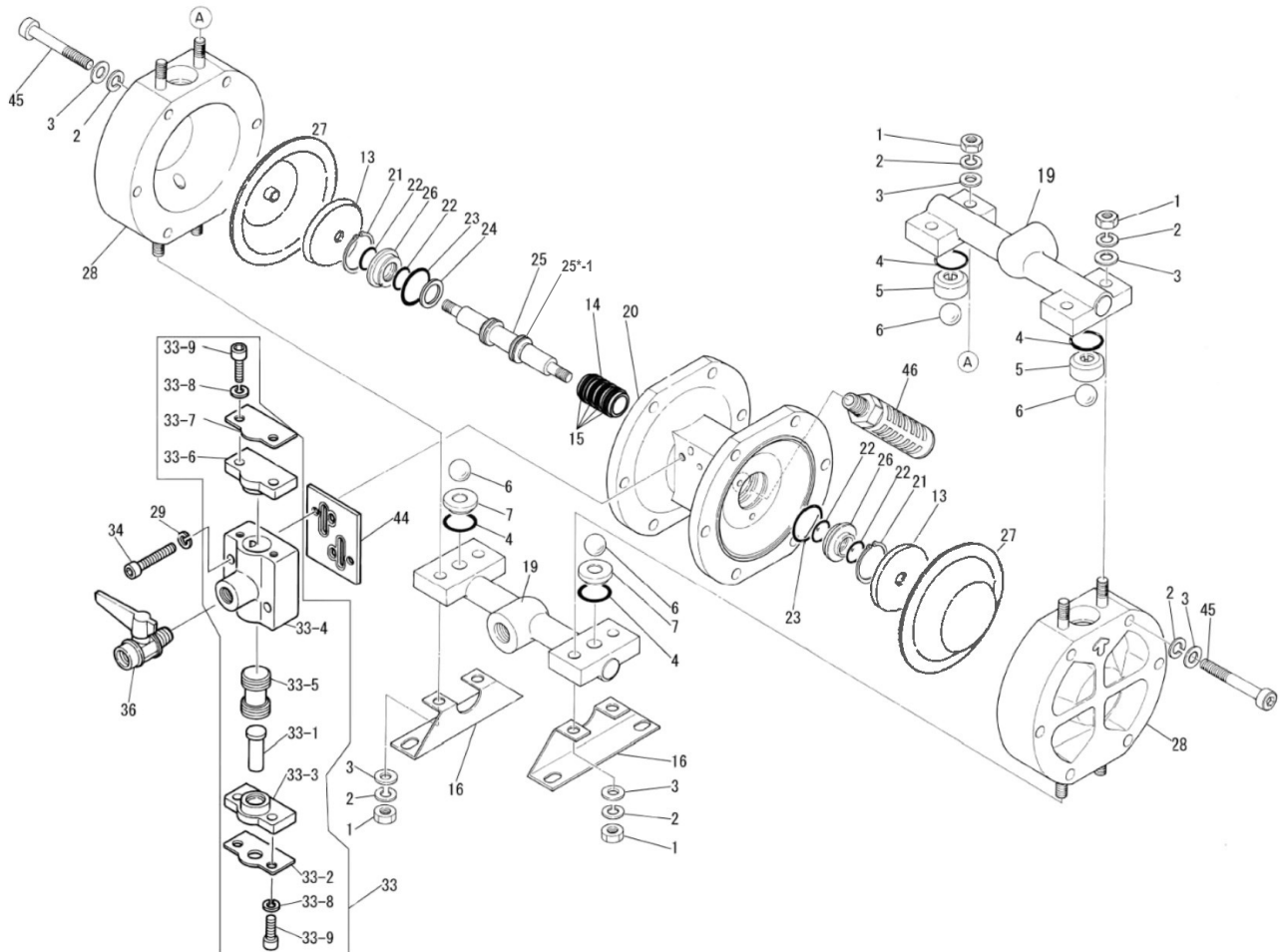
To Purchase:

- ☎ 800-990-7867
- ✉ sales@yamadapump.com
- 📍 Find My Rep

More Information:

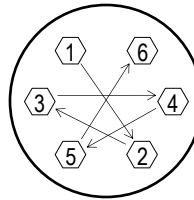
- ▶ YouTube: @yamadapump
- 🌐 yamadapump.com
- Data Sheets | CAD Drawings | Manuals Literature | BOM | Performance Curves*

Trial Program



Air Operated Double Diaphragm Pump

REF. No.	PART No.	DESCRIPTION	QTY.	REORDER
1	628012	NUT	8	
2	681300	SPRING WASHER	20	
3	631329	PLAIN WASHER	20	
4	643018	O-RING	4	
5	771136	BALL GUIDE	2	
6	770931	BALL	4	
7	780270	VALVE SEAT	2	
9	770968	CENTER DISK	2	
11	643005	O RING	4	
13	708770	CENTER DISK	2	
14	714678	SLEEVE	1	
15	684900	O RING	4	
16	708511	BASE	2	
19	831316	MANIFOLD	2	
20	715107	BODY	1	
21	630807	RETAINING RING	2	
22	684284	PACKING	4	
23	640131	O RING	2	
24	772651	SPACER	1	
25	801785	CENTER ROD	1	
26	772619	GUIDE BUSHING	2	
27	833027	DIAPHRAGM	2	
28	780194	OUT CHAMBER	2	
29	681855	SPRING WASHER	2	
33	804505	VALVE BODY ASSY	1	
33- 1	706798	RESET BUTTON	1	
33- 2	710587	PLATE A	1	
33- 3	771357	SPOOL END COVER	1	
33- 4	710853	SPOOL CASE	1	
33- 5	801404	SPOOL ASSY	1	
33- 6	771356	SPOOL COVER	1	
33- 7	710636	PLATE B	1	
33- 8	681855	SPRING WASHER	4	
33- 9	682943	BOLT	4	
34	682918	BOLT	2	
36	686826	VALVE	1	
44	771358	GASKET	1	
45	682945	BOLT	12	
46	682520	MUFFLER	1	
KIT	K10-PU	LIQUID END KIT		
KIT	K115-AM	AIR MOTOR KIT		



Tightening Torques:
 Out Chambers
 Manifold Retainer Bolts
 Spool Valve Case
 Cap

105 in-lbf {12 N-m}
 70 in-lbf {8 N-m}
 55 in-lbf {6 N-m}
 55 in-lbf {6 N-m}

General Tools:

- Socket wrench - 13mm
- Hexagonal box wrenches - 5mm, 6mm
- Snap ring pliers 12-25mm

Miscellaneous:

- Assembly Oil - turbine oil class 1 (equivalent to ISO VG32 grade)
- Urea grease grade (NLGI) No. 2