

Yamada America, Inc.
955 East Algonquin Rd
Arlington Heights, IL 60005
Phone: 847.631.9200
Fax: 847.631.9273
www.yamadapump.com

Model: NDP-50FAN
Part # 854251



| Reference No. | Description | Q'ty | Part No. |
|---------------|--------------------|------|----------|
| 1 | Out Chamber | 2 | 716032 |
| 2 | In Manifold | 2 | 715767 |
| 3 | Valve Case Cover | 4 | 795117 |
| 4 | In Valve Case | 2 | 716030 |
| 5 | Center Body Assy. | 1 | 804719 |
| 7 | Center Rod | 1 | 711900 |
| 8 | Center Disk | 4 | 711904 |
| 9 | U Bolt | 2 | 686099 |
| 10 | Diaphragm | 2 | 771702 |
| 11 | Valve Seat Assy. | 4 | 804841 |
| 12 | Bolt | 16 | 621173 |
| 14 | Ball Valve | 1 | 684322 |
| 15 | Plug | 2 | 686100 |
| 19 | Pump Base | 2 | 716078 |
| 20 | Cushion | 4 | 771402 |
| 21 | Nut | 2 | 683408 |
| 22 | Coned Disk Spring | 2 | 682740 |
| 23 | Bolt | 24 | 686045 |
| 24 | Plain Washer | 8 | 631014 |
| 25 | Spring Lock Washer | 32 | 631917 |
| 26 | Bolt | 16 | 611197 |
| 27 | Wave Washer | 16 | 631937 |
| 28 | Wave Washer | 16 | 631918 |
| 29 | Pin | 8 | 686169 |
| 30 | Bolt | 8 | 611179 |
| 31 | Bolt | 8 | 619188 |
| 32 | Hex Socket Screw | 8 | 686158 |
| 33 | Bolt | 4 | 611177 |
| 34 | Nut | 12 | 627013 |
| 35 | Bolt | 4 | 611149 |
| 36 | Nut with Flange | 4 | 682276 |
| 37 | Out Valve Case | 2 | 716031 |
| 39 | O-ring | 2 | 640045 |
| 40 | O-ring | 4 | 640060 |
| 41 | Gasket | 2 | 772941 |
| 51 | Cushion | 2 | 770582 |

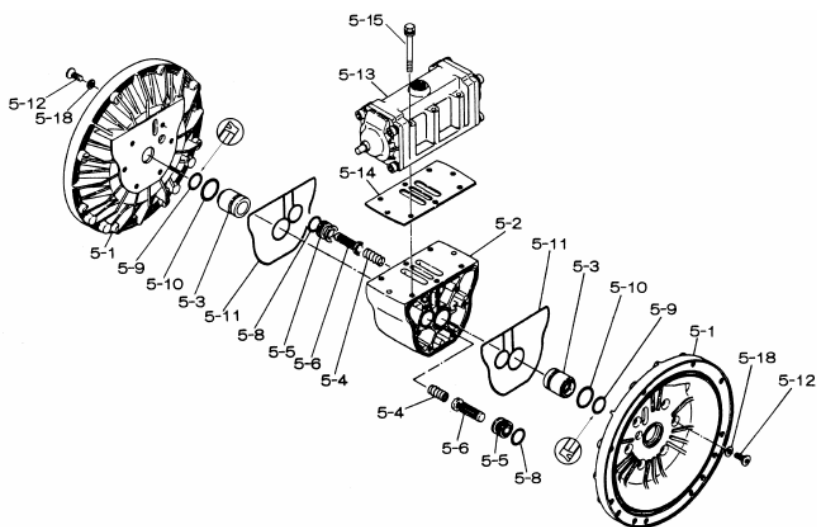
Repair Kits

K50-FMN Liquid Side Kit includes the following:

| | | | |
|------|---------------|---|--------|
| 10 | Diaphragm | 2 | 771702 |
| 11-3 | Flapper Valve | 4 | 795125 |
| 40 | O-ring | 4 | 640060 |

K45-AM Air Side Kit includes the following:

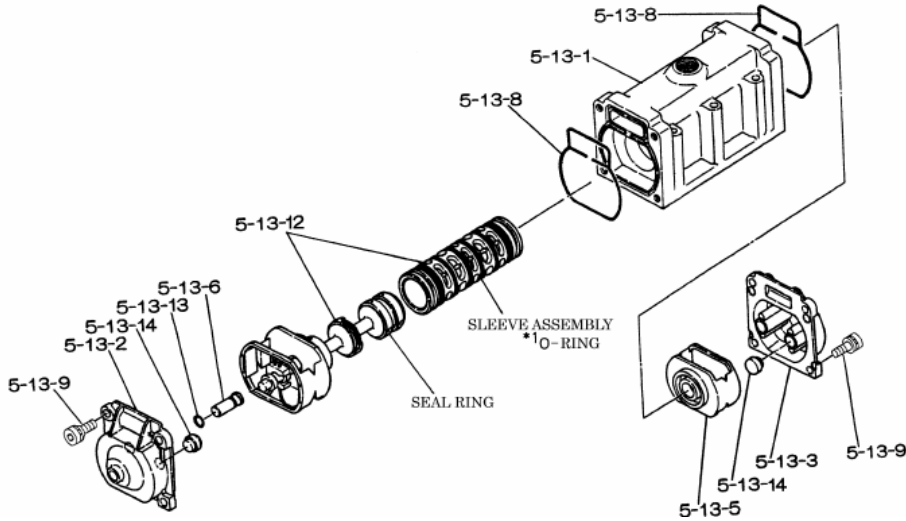
| | | | |
|----------------|----------------------|----|--------|
| 5-3 | Throat Bearing | 2 | 772689 |
| 5-4 | Spring | 2 | 711937 |
| 5-5 | Valve Seat | 2 | 771740 |
| 5-6 | Pilot Valve Assembly | 2 | 832162 |
| 5-8 | O-ring | 7 | 640020 |
| 5-9 | Packing | 2 | 685444 |
| 5-10 | O-ring | 2 | 640029 |
| 5-11 | Gasket | 2 | 771742 |
| 5-14 | Gasket | 1 | 771712 |
| 5-13-8 | Gasket | 2 | 771738 |
| 5-13-12 Seal | Seal Ring | 15 | 771732 |
| 5-13-12 Sleeve | Sleeve Assembly | 1 | 803675 |



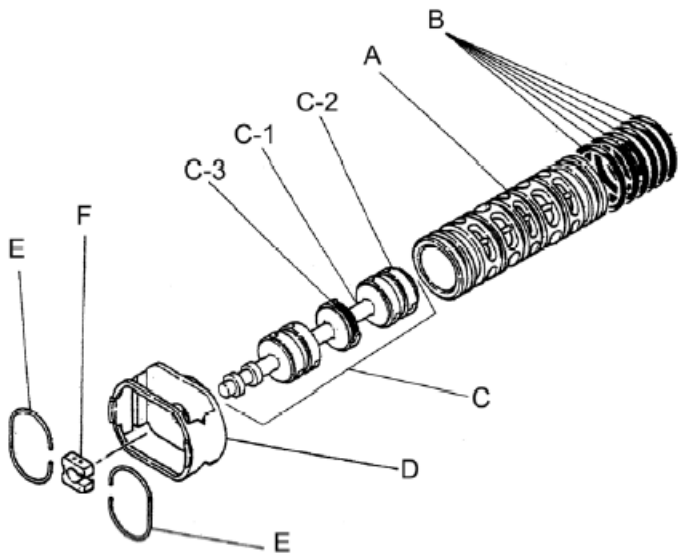
804719 Center Body Assembly

| Reference No. | Description | Q'ty | Part No. |
|---------------|------------------|------|----------|
| 5-1 | Air Chamber | 2 | 711934 |
| 5-2 | Body | 1 | 711936 |
| 5-3 | Throat Bearing | 2 | 772689 |
| 5-4 | Spring | 2 | 711937 |
| 5-5 | Valve Seat | 2 | 771740 |
| 5-6 | Pilot Valve Assy | 2 | 832163 |
| 5-8 | O-ring | 2 | 640020 |
| 5-9 | Packing | 2 | 685444 |
| 5-10 | O-ring | 2 | 640029 |
| 5-11 | Gasket | 2 | 771742 |
| 5-12 | Flat Head Bolt | 12 | 683812 |
| 5-13 | Valve Body Assy | 1 | 802971 |
| 5-14 | Gasket | 1 | 771712 |
| 5-15 | Bolt | 6 | 684240 |
| 5-18 | Washer | 12 | 684987 |

Yamada America, Inc.
 955 East Algonquin Rd
 Arlington Heights, IL 60005
 Phone: 847.631.9200
 Fax: 847.631.9273
 www.yamadapump.com

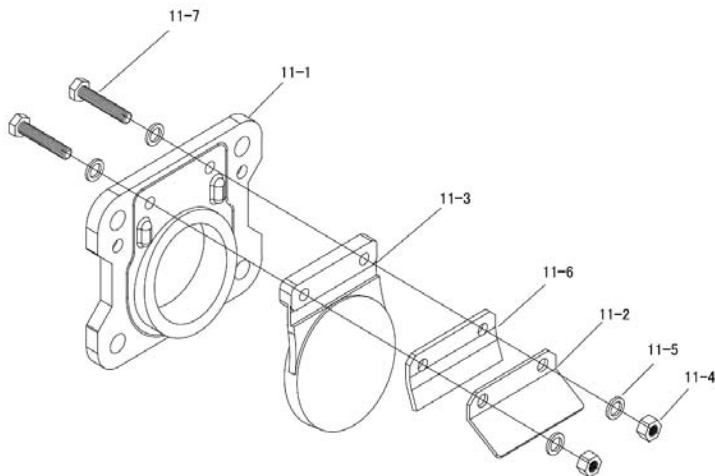


| 802971 Valve Body Assembly | | | |
|----------------------------|---------------------|------|----------|
| Reference No. | Description | Q'ty | Part No. |
| 5-13-1 | Valve Body | 1 | 711931 |
| 5-13-2 | Cap A | 1 | 580999 |
| 5-13-3 | Cap B | 1 | 581000 |
| 5-13-5 | Spring Stopper | 1 | 771735 |
| 5-13-6 | Reset Button | 1 | 712976 |
| 5-13-8 | Gasket | 2 | 771738 |
| 5-13-9 | Bolt | 8 | 685036 |
| 5-13-12 | C Spool Valve Assy. | 1 | 803115 |
| 5-13-12 Seal | Seal Ring | 15 | 771732 |
| 5-13-12 Sleeve | Sleeve Assembly | 1 | 803675 |
| 5-13-13 | O-ring | 1 | 640005 |
| 5-13-14 | Cushion | 4 | 684128 |



803115 Air Valve Assembly (5-13-12)

| Reference No. | Description | Q'ty | Part No. |
|---------------|-----------------|------|----------|
| A | Sleeve | 1 | 803675 |
| B | O-ring | 6 | 640036 |
| C | Spool Assembly | 1 | 803114 |
| C-1 | Spool | 1 | 771733 |
| C-2 | Seal Ring | 15 | 771732 |
| C-3 | O-ring | 5 | 640020 |
| D | Spring Retainer | 1 | 771735 |
| E | C-Spring | 2 | 711932 |
| F | Block | 1 | 771734 |



804841 Valve Body Assembly

| Reference No. | Description | Q'ty | Part No. |
|---------------|---------------|------|----------|
| 11-1 | Valve Seat | 1 | 795124 |
| 11-2 | Valve Stopper | 1 | 715765 |
| 11-3 | Flap Valve | 1 | 795125 |
| 11-4 | Nut | 2 | 685184 |
| 11-5 | Plain Washer | 4 | 631172 |
| 11-6 | Hinge Pad | 1 | 773000 |
| 11-7 | Bolt | 2 | 621106 |

Yamada America, Inc.
955 East Algonquin Rd
Arlington Heights, IL 60005
Phone: 847.631.9200
Fax: 847.631.9273
www.yamadapump.com