

# NDP-50FAN Specifications



## SolidPRO® Flapper

### Port Dimensions (158.5 GPM Max.)

#### Intake & discharge connection:

Aluminum (ADC-12)	2" ANSI B16.5 #150 (with tapped 2" Female NPT)
Air inlet (incl. ball valve):	3/4" Female NPT
Air exhaust (incl. silencer):	1" Female NPT

### Maximum Liquid Temperature\*

Diaphragm Material	Temperature
Buna N	180°F (82°C)
Santoprene® (TPO)	180°F (82°C)

\*The maximum liquid temperature for metal pumps is determined by the elastomer (diaphragm material).

### Air Supply Pressure (All Models)

30–100 PSI (2~7 kgf/cm<sup>2</sup>)

### Discharge Volume Per Cycle

Rubber diaphragm: 0.63 gallons

### Maximum Cycles Per Minute

Rubber diaphragm: 251

### Maximum Size Solid

2"

### Maximum Dry Suction Lift

Rubber fitted pump capability: 24'

### Air Motor

Aluminum air motor standard.

### Valve Type

Flap Valve

Notes: Santoprene® fitted pumps include EPDM wetted o-rings & TPO flap valves.



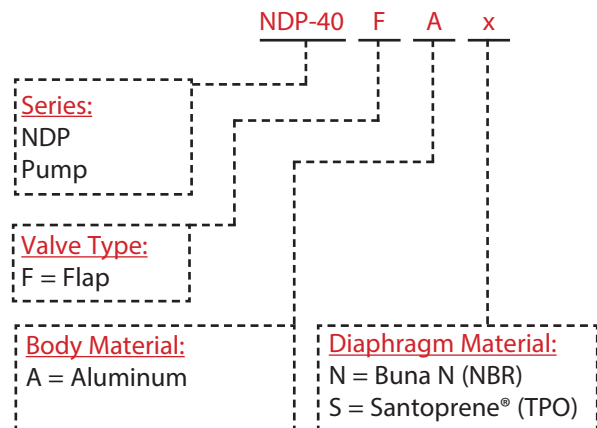
### Aluminum

**Dimensions:** 27.91"W x 32.59"H

**Net Wt.:** 115 lbs. (52 kg)

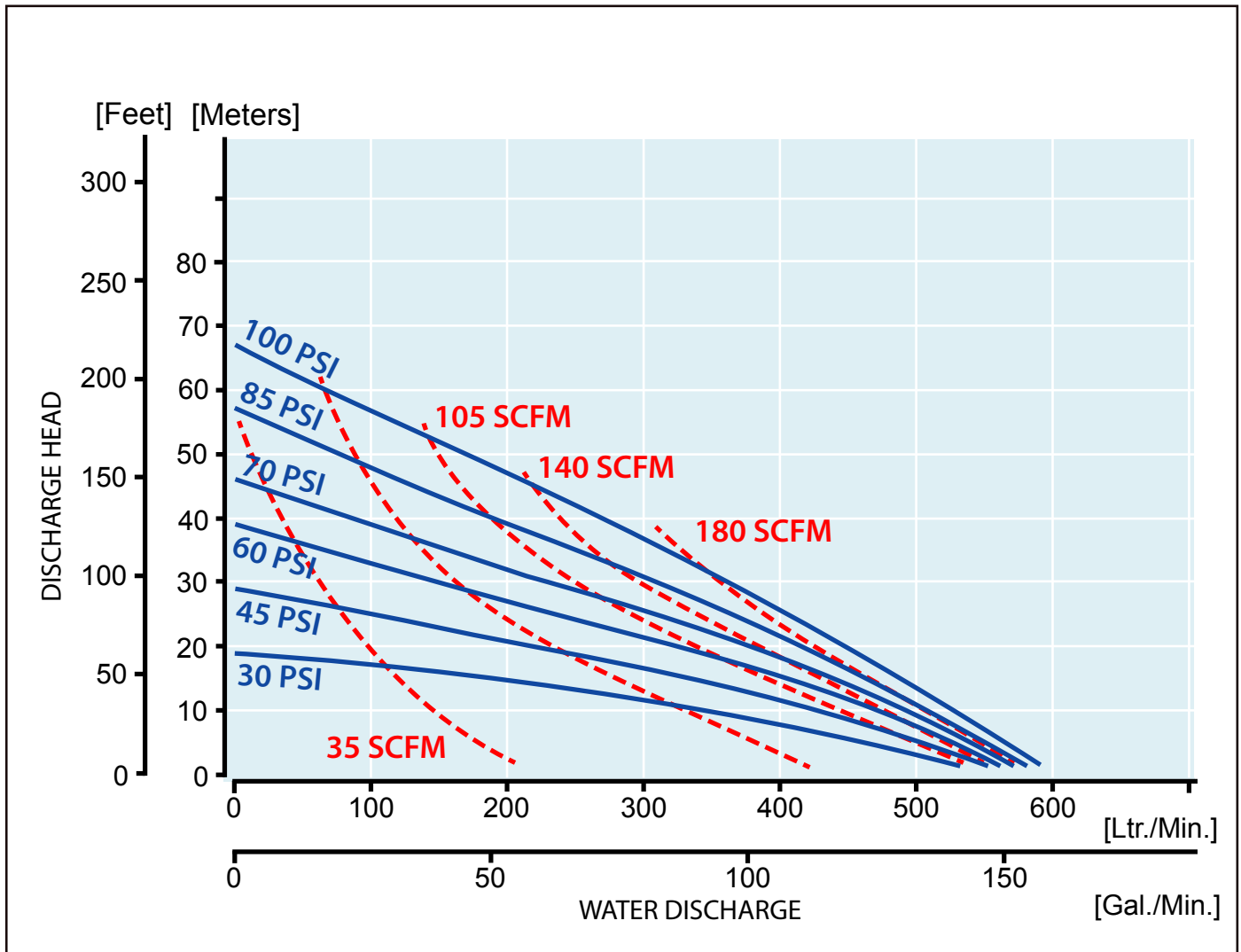
**Shipping Wt.:** 130 lbs.

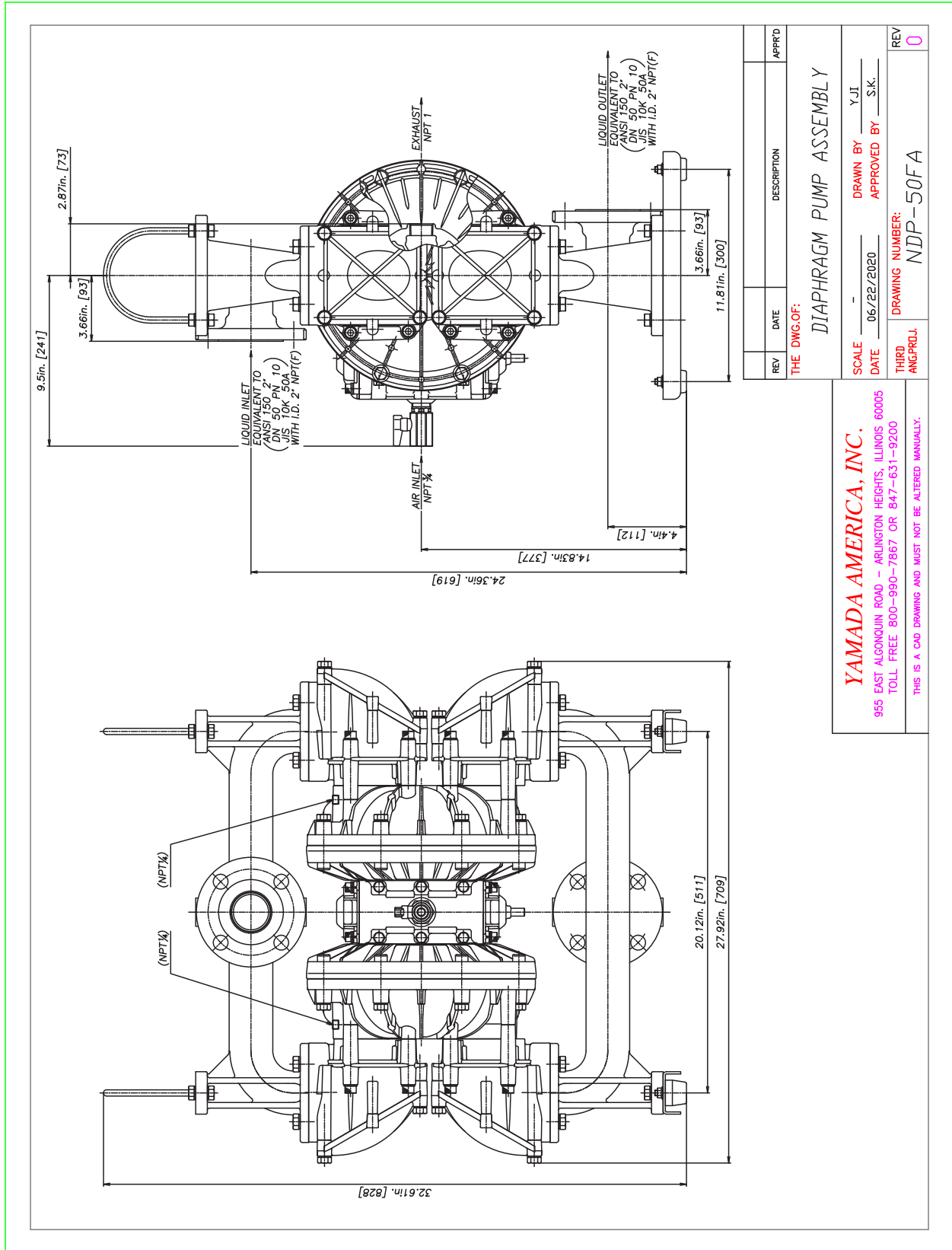
### Model Number Nomenclature



# NDP-50 Flapper Performance Curve

## SolidPRO Rubber Diaphragm Performance Curve (Aluminum)





**YAMADA AMERICA, INC.**  
 955 EAST ALGONQUIN ROAD - ARLINGTON HEIGHTS, ILLINOIS 60005  
 TOLL FREE 800-990-7867 OR 847-631-9200  
 THIS IS A CAD DRAWING AND MUST NOT BE ALTERED MANUALLY.

**AutoCAD®** is a registered trademark of Autodesk, Inc.

**Hytrell®** is a registered trademark of E.I. du Pont de Nemours and Company.

**Kynar®** is a registered trademark of Arkema.

**Nordel™** is a trademark of DuPont Dow Elastomers.

**Ryton®** is a registered trademark of Chevron Phillips Chemical Company.

**Santoprene®** is a registered trademark of Advanced Elastomer Systems.

**Viton®** is a registered trademark of DuPont Performance Elastomers.

**Swagelok™ & VCR™** are trademarks of the Swagelok Companies.

**Flaretek®** is a registered trademark of Entegris.

**Garlock ONE-UP®** is a registered trademark of W.L. Gore & Associates.

**Yamada®** is a registered trademark of Yamada America, Inc.

**SolidPRO Designed to Pump Fluids Containing Solids®** is a registered trademark of Yamada America, Inc.

**Xtreme Duty Pro XDP®** is a registered trademark of Yamada America, Inc.

**The Proof's in the Pump®** is a registered trademark of Yamada America, Inc.

**The Proof is in the Pump®** is a registered trademark of Yamada America, Inc.

**Engineered to Perform. Designed to Outlast.®** is a registered trademark of Yamada America, Inc.

Due to Yamada's continued commitment to product improvement, specifications may change without notice.