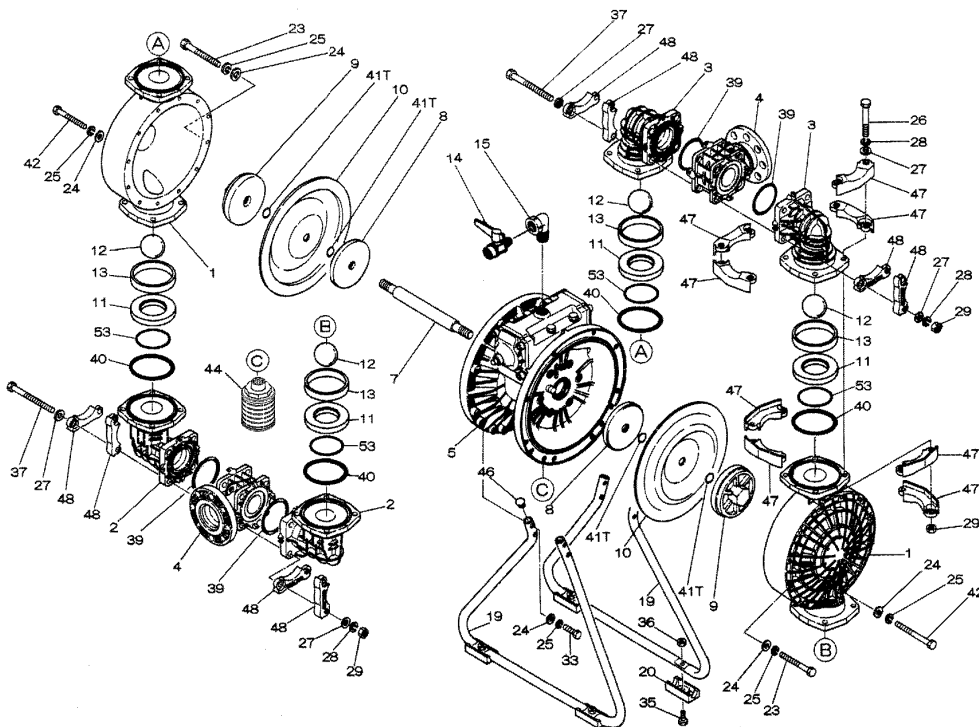


Air Operated Double Diaphragm Pump



Parts List

| Ref. No. | Description        | Qty | Part No. |
|----------|--------------------|-----|----------|
| 1        | Out Chamber        | 2   | 780149   |
| 2        | In Manifold        | 2   | 780246   |
| 3        | Out Manifold       | 2   | 780152   |
| 4        | Center Manifold    | 2   | 780250   |
| 5        | Body Assembly      | 1   | 803113   |
| 7        | Center Rod         | 1   | 711901   |
| 8        | Center Disk        | 2   | 711906   |
| 9        | Center Disk        | 2   | 780064   |
| 10       | Diaphragm          | 2   | 771705   |
| 11       | Valve Seat         | 4   | 772098   |
| 12       | Ball               | 4   | 773144   |
| 13       | Valve Guide        | 4   | 772099   |
| 14       | Ball Valve         | 1   | 684322   |
| 15       | Elbow              | 1   | 682523   |
| 19       | Stand Body         | 2   | 711927   |
| 20       | Cushion            | 4   | 771865   |
| 23       | Bolt               | 20  | 683543   |
| 24       | Plain Washer       | 32  | 631330   |
| 25       | Spring Lock Washer | 32  | 680257   |
| 26       | Bolt               | 16  | 621213   |
| 27       | Plain Washer       | 32  | 631331   |
| 28       | Spring Lock Washer | 24  | 680607   |
| 29       | Nut                | 24  | 628014   |
| 33       | Bolt               | 8   | 621179   |
| 35       | Bolt               | 4   | 621149   |
| 36       | Nut with Flange    | 4   | 683837   |
| 37       | Bolt               | 8   | 683544   |
| 39       | O-ring             | 4   | 640070   |
| 40       | O-ring             | 4   | 640080   |
| 42       | Bolt               | 4   | 683552   |
| 44       | Muffler            | 1   | 804764   |
| 46       | Cap                | 4   | 683641   |
| 47       | Protector A        | 32  | 771789   |
| 48       | Protector B        | 24  | 771790   |
| 53       | O-ring             | 4   | 640143   |

Repair Kits

K80-PH Liquid Side Kit includes the following:

| Ref. No. | Description | Qty | Part No. |
|----------|-------------|-----|----------|
| 10       | Diaphragm   | 2   | 771705   |
| 12       | Ball        | 4   | 773144   |
| 53       | O-ring      | 4   | 640143   |
| 40       | O-ring      | 4   | 640080   |

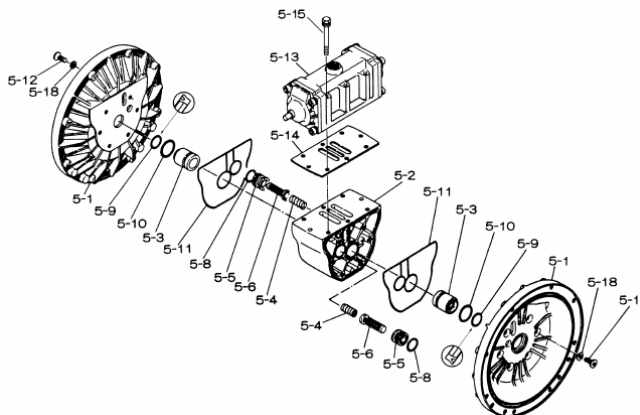
K80-AM Air Side Kit includes the following:

| Ref. No. | Description          | Qty | Part No. |
|----------|----------------------|-----|----------|
| 5-3      | Throat Bearing       | 2   | 772689   |
| 5-4      | Spring               | 2   | 711937   |
| 5-5      | Valve Seat           | 2   | 771740   |
| 5-6      | Pilot Valve Assembly | 2   | 832163   |
| 5-8      | O-ring               | 2   | 640020   |
| 5-9      | Packing              | 2   | 685444   |
| 5-10     | O-ring               | 2   | 640029   |
| 5-11     | Gasket               | 2   | 771742   |
| 5-14     | Gasket               | 1   | 771712   |
| 5-13-8   | Gasket               | 2   | 771738   |
| 5-13-12  | C-Spool Assy (CF)    | 1   | 805084   |

Air Operated Double Diaphragm Pump

803113 Body Assembly

| Ref. No. | Description          | Qty | Part No. |
|----------|----------------------|-----|----------|
| 5-1      | Air Chamber          | 2   | 711935   |
| 5-2      | Body                 | 1   | 711936   |
| 5-3      | Throat Bearing       | 2   | 772689   |
| 5-4      | Spring               | 2   | 711937   |
| 5-5      | Valve Seat           | 2   | 771740   |
| 5-6      | Pilot Valve Assembly | 2   | 832163   |
| 5-8      | O-ring               | 2   | 640020   |
| 5-9      | Packing              | 2   | 685444   |
| 5-10     | O-ring               | 2   | 640029   |
| 5-11     | Gasket               | 2   | 771742   |
| 5-12     | Flat Head Bolt       | 12  | 683812   |
| 5-13     | Valve Body Assembly  | 1   | 802971   |
| 5-14     | Gasket               | 1   | 771712   |
| 5-15     | Bolt                 | 6   | 684240   |
| 5-18     | Plain Washer         | 12  | 684987   |



802971 Air Valve Body Assembly

| Ref. No.         | Description       | Qty | Part No. |
|------------------|-------------------|-----|----------|
| 5-13-1           | Valve Body        | 1   | 711931   |
| 5-13-2           | Cap A             | 1   | 580999   |
| 5-13-3           | Cap B             | 1   | 581000   |
| 5-13-5           | Spring Stopper    | 1   | 771735   |
| 5-13-6           | Reset Button      | 1   | 712976   |
| 5-13-8           | Gasket            | 2   | 771738   |
| 5-13-9           | Bolt              | 8   | 685036   |
| 5-13-12          | C-Spool Assy (CF) | 1   | 805084   |
| 5-13-12*1 Sleeve | Sleeve Assembly   | 1   | 803675   |
| 5-13-13          | O-ring            | 1   | 640005   |
| 5-13-14          | Cushion           | 4   | 684128   |



805084 C-Spool Assembly (CF)

| Ref. No. | Description     | Qty | Part No. |
|----------|-----------------|-----|----------|
| A        | Sleeve Assy.    | 1   | 803675   |
| B        | O-ring (sleeve) | 6   | 640036   |
| C        | Spool Assy (CF) | 1   | 805085   |
| D        | Spring Retainer | 1   | 771735   |
| E        | C-Spring        | 2   | 711932   |
| F        | Block           | 1   | 771734   |

