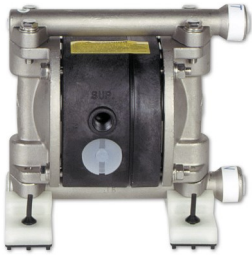


# EXPLODED VIEW & PARTS LISTING

## Air Operated Double Diaphragm Pump

Model: NDP-5FST

Model # 851565



### To Purchase:

☎ 800-990-7867

✉ sales@yamadapump.com

📍 Find My Rep

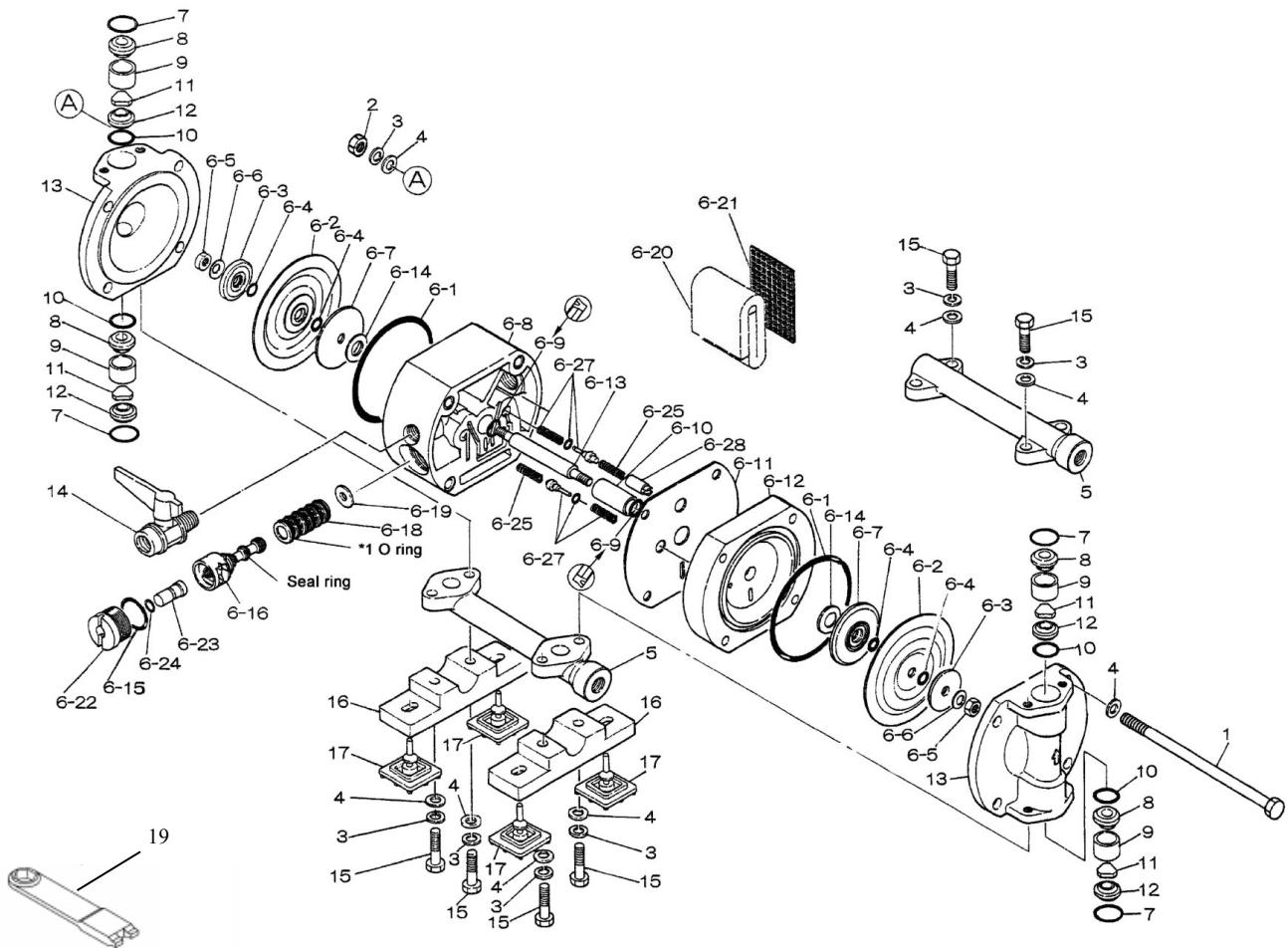
### More Information:

▶ YouTube: @yamadapump

🌐 yamadapump.com

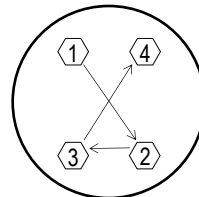
Data Sheets | CAD Drawings | Manuals  
Literature | BOM | Performance Curves

### Trial Program



Air Operated Double Diaphragm Pump

REF No.	PART No.	DESCRIPTION	QTY.	REORDER
1	682528	BOLT	4	
2	687228	NUT	4	
3	681855	SPRING LOCK WASHER	12	
4	631328	PLAIN WASHER	16	
5	831323	MANIFOLD	2	
6	802236	BODY ASSY.	1	
6-1	640139	O-RING	2	
6-2	771093	DIAPHRAGM	2	
6-3	709476	CENTER DISK (OUTER)	2	
6-4	643003	O-RING	4	
6-5	683391	NUT	2	
6-6	684915	CONED DISK SPRING	2	
6-7	709317	CENTER DISK (INNER)	2	
6-8	780006	BODY A	1	
6-9	685752	PACKING	2	
6-10	771088	BUSHING	1	
6-11	771980	GASKET	1	
6-12	780001	BODY B	1	
6-13	709316	CENTER ROD	1	
6-14	771239	CUSHION	2	
6-15	640017	O-RING	1	
6-16	802386	C-SPOOL VALVE ASSY.	1	
6-16 seal	771098	SEAL RING	5	
6-18	802049	SLEEVE ASSY.	1	
6-18-*1	771097	O-RING (SLEEVE O.D.)	6	
6-19	771096	CUSHION	1	
6-20	771465	SILENCER	1	
6-21	771589	MESH	1	
6-22	771100	CAP	1	
6-23	771099	RESET BUTTON	1	
6-24	640002	O-RING	1	
6-25	709319	SPRING	2	
6-27	803510	PILOT VALVE ASSY.	2	
6-27-*1	640000	O-RING (PILOT VALVE ASSY.)	2	
6-28	771095	STOPPER	1	
7	643015	O-RING	4	
8	709634	VALVE STOPPER	4	
9	709635	VALVE GUIDE	4	
10	771133	O-RING	4	
11	771152	FLAT VALVE	4	
12	709637	VALVE SEAT	4	
13	709467	OUT CHAMBER	2	
14	686826	BALL VALVE	1	
15	682529	BOLT	8	
16	771101	BASE	2	
17	771102	CUSHION	4	
19	771132	ACCESSORY TOOL	1	
KIT	K5-MT	LIQUID SIDE KIT		
KIT	K5-AM	AIR MOTOR KIT		



**Tightening torque for center rod and out chambers.**

Center Rod 65 in-lbf {7.5 N-m}  
Out Chambers 65 in-lbf {7.5 N-m}

**Tightening torque for manifold retainer bolts.**

FST 65 in-lbf {7.5 N-m}

**General Tools:**

- Socket wrench - 10mm
- Open-end wrench - 10mm
- Plier

**Special Tools (sold separately):**

- Cap and disk remover (771132)
- Sleeve remover (713148)

**Miscellaneous:**

- Assembly Oil - turbine oil none additional class 1 (equivalent to ISO VGA32 grade)
- Nuts - M6 x 1
- Urea grease grade (NLGI) No. 2

**Customer Notes**

Model #: \_\_\_\_\_  
Description: \_\_\_\_\_  
Serial #: \_\_\_\_\_  
Date Installed: \_\_\_\_\_  
Department Location: \_\_\_\_\_  
Tag/Project: \_\_\_\_\_