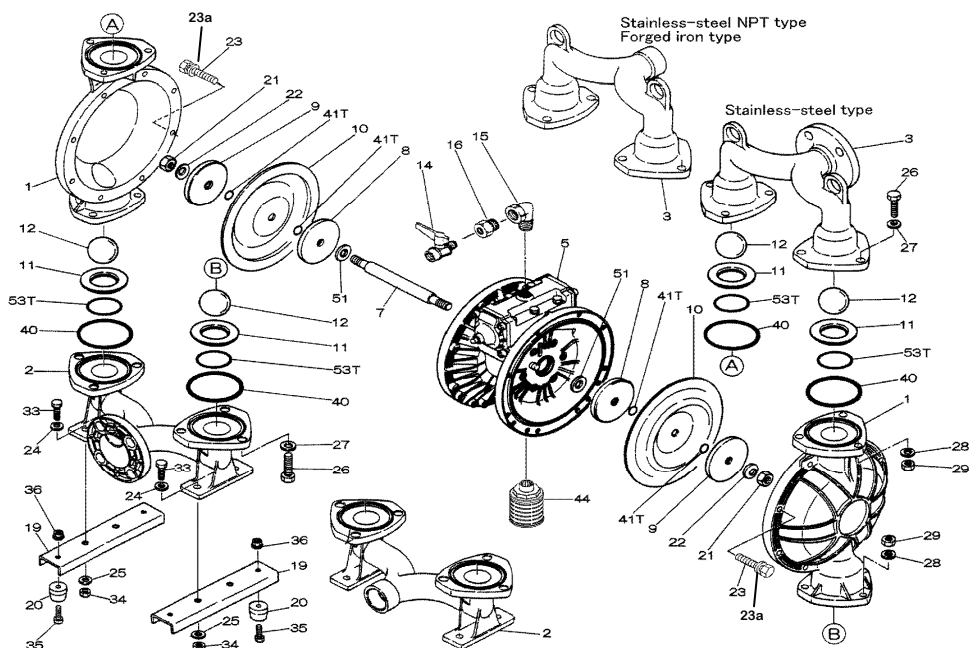
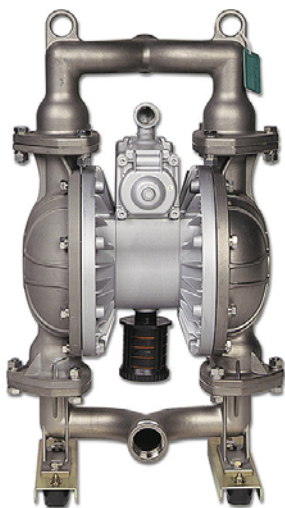


Air Operated Double Diaphragm Pump



Parts List

| Ref. No. | Description        | Qty. | Part No. |
|----------|--------------------|------|----------|
| 1        | Out Chamber        | 2    | 713156   |
| 2        | In Manifold - NPT  | 1    | 713168   |
| 3        | Out Manifold - NPT | 1    | 713165   |
| 5        | Body Assembly      | 1    | 803111   |
| 7        | Center Rod         | 1    | 711900   |
| 8        | Center Disk        | 2    | 711902   |
| 9        | Center Disk        | 2    | 713369   |
| 10       | Diaphragm          | 2    | 771700   |
| 11       | Valve Seat         | 4    | 771994   |
| 12       | Ball               | 4    | 770584   |
| 14       | Ball Valve         | 1    | 684321   |
| 15       | Elbow              | 1    | 682523   |
| 16       | Bushing            | 1    | 684339   |
| 19       | Pump Base          | 2    | 711911   |
| 20       | Cushion            | 4    | 771402   |
| 21       | Nut                | 2    | 683408   |
| 22       | Coned Disk Spring  | 2    | 682740   |
| 23       | Bolt               | 16   | 686160   |
| 23a      | Wave Spring Washer | 16   | 631917   |
| 24       | Plain Washer       | 4    | 631014   |
| 25       | Wave Spring Washer | 4    | 631917   |
| 26       | Bolt               | 12   | 611202   |
| 27       | Plain Washer       | 12   | 631015   |
| 28       | Spring Lock Washer | 12   | 631918   |
| 29       | Nut                | 12   | 627014   |
| 33       | Bolt               | 4    | 611175   |
| 34       | Nut                | 4    | 627013   |
| 35       | Bolt               | 4    | 611149   |
| 36       | Nut with Flange    | 4    | 682276   |
| 40       | O-ring             | 4    | 640065   |
| 41T      | N/A                | -    | -        |
| 44       | Muffler            | 1    | 804764   |
| 51       | Cushion            | 2    | 770582   |
| 53T      | N/A                | -    | -        |

Repair Kits

K40-MN Liquid Side Kit includes the following:

| Ref. No. | Description | Qty. | Part No. |
|----------|-------------|------|----------|
| 10       | Diaphragm   | 2    | 771700   |
| 11       | Valve Seat  | 4    | 771994   |
| 40       | O-ring      | 4    | 640065   |
| 12       | Ball        | 4    | 770584   |

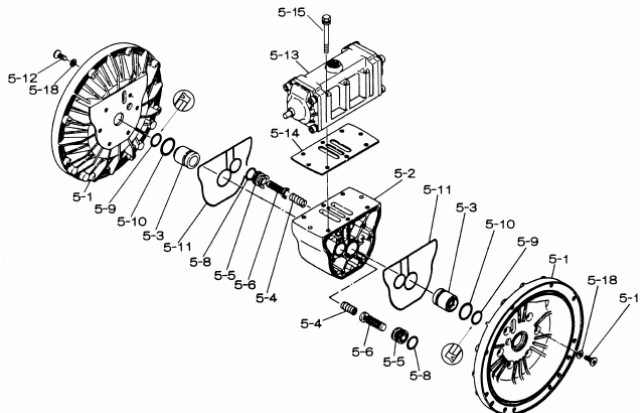
K45-AM Air Side Kit includes the following:

| Ref. No. | Description          | Qty. | Part No. |
|----------|----------------------|------|----------|
| 5-3      | Throat Bearing       | 2    | 772689   |
| 5-4      | Spring               | 2    | 711937   |
| 5-5      | Valve Seat           | 2    | 771740   |
| 5-6      | Pilot Valve Assembly | 2    | 832162   |
| 5-8      | O-ring               | 2    | 640020   |
| 5-9      | Packing              | 2    | 685444   |
| 5-10     | O-ring               | 2    | 640029   |
| 5-11     | Gasket               | 2    | 771742   |
| 5-14     | Gasket               | 1    | 771712   |
| 5-13-8   | Gasket               | 2    | 771738   |
| 5-13-12  | C-Spool Assy (CF)    | 1    | 805084   |

Air Operated Double Diaphragm Pump

803111 Body Assembly

| Ref. No. | Description          | Qty | Part No. |
|----------|----------------------|-----|----------|
| 5-1      | Air Chamber          | 2   | 711933   |
| 5-2      | Body                 | 1   | 711936   |
| 5-3      | Throat Bearing       | 2   | 772689   |
| 5-4      | Spring               | 2   | 711937   |
| 5-5      | Valve Seat           | 2   | 771740   |
| 5-6      | Pilot Valve Assembly | 2   | 832162   |
| 5-8      | O-ring               | 2   | 640020   |
| 5-9      | Packing              | 2   | 685444   |
| 5-10     | O-ring               | 2   | 640029   |
| 5-11     | Gasket               | 2   | 771742   |
| 5-12     | Flat Head Bolt       | 12  | 683812   |
| 5-13     | Valve Body Assembly  | 1   | 802971   |
| 5-14     | Gasket               | 1   | 771712   |
| 5-15     | Bolt                 | 6   | 684240   |
| 5-18     | Plain Washer         | 12  | 684987   |



802971 Air Valve Body Assembly

| Ref. No.          | Description       | Qty | Part No. |
|-------------------|-------------------|-----|----------|
| 5-13-1            | Valve Body        | 1   | 711931   |
| 5-13-2            | Cap A             | 1   | 580999   |
| 5-13-3            | Cap B             | 1   | 581000   |
| 5-13-5            | Spring Stopper    | 1   | 771735   |
| 5-13-6            | Reset Button      | 1   | 712976   |
| 5-13-8            | Gasket            | 2   | 771738   |
| 5-13-9            | Bolt              | 8   | 685036   |
| 5-13-12           | C-Spool Assy (CF) | 1   | 805084   |
| 5-13-12 *1 Sleeve | Sleeve Assembly   | 1   | 803675   |
| 5-13-13           | O-ring            | 1   | 640005   |
| 5-13-14           | Cushion           | 4   | 684128   |



805084 C-Spool Assembly (CF)

| Ref. No. | Description     | Qty | Part No. |
|----------|-----------------|-----|----------|
| A        | Sleeve Assy.    | 1   | 803675   |
| B        | O-ring (sleeve) | 6   | 640036   |
| C        | Spool Assy (CF) | 1   | 805085   |
| D        | Spring Retainer | 1   | 771735   |
| E        | C-Spring        | 2   | 711932   |
| F        | Block           | 1   | 771734   |

