

EXPLODED VIEW & PARTS LISTING

Air Operated Double Diaphragm Pump

Model: NDP-32BAT

Model# : 854576



To Purchase:

☎ 800-990-7867

✉ sales@yamadapump.com

📍 Find My Rep

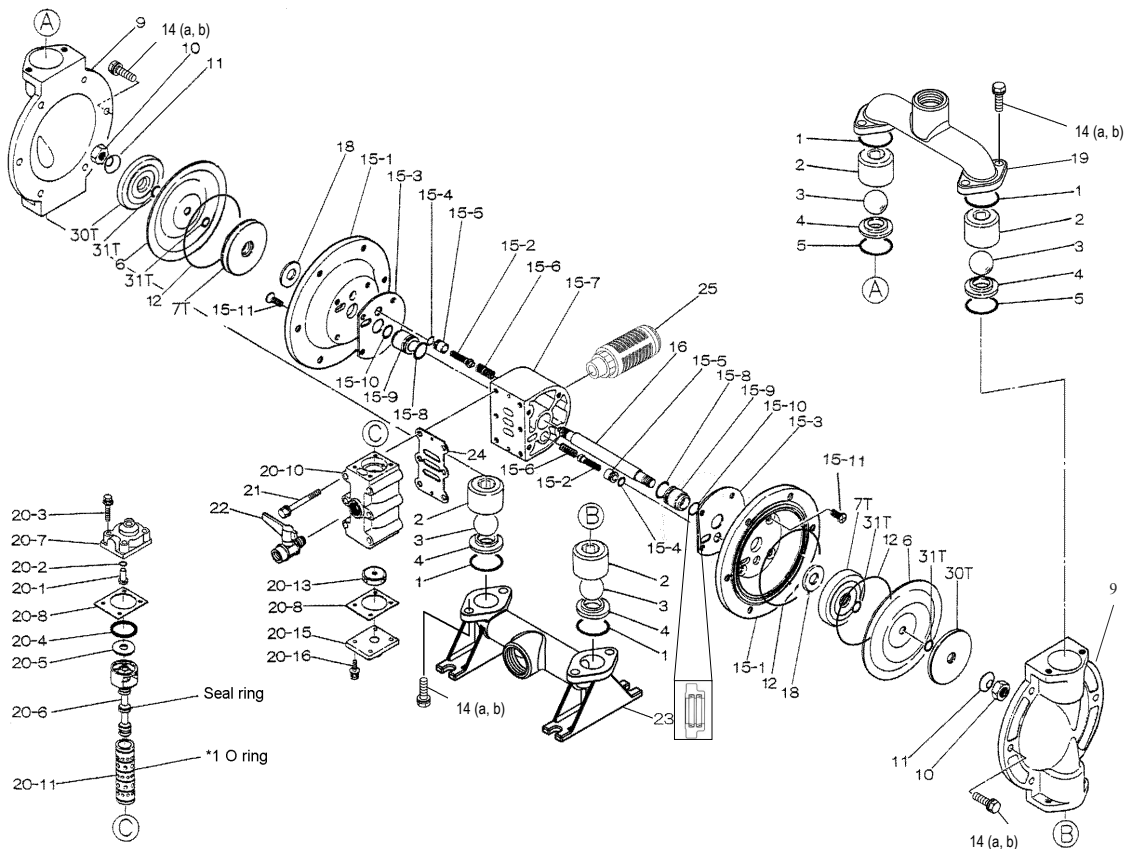
More Information:

▶ YouTube: @yamadapump

🌐 yamadapump.com

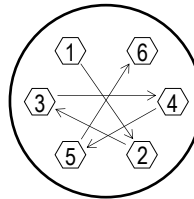
Data Sheets | CAD Drawings | Manuals
Literature | BOM | Performance Curves

Trial Program



Air Operated Double Diaphragm Pump

REF. NO.	PART NO.	DESCRIPTION	QTY.	REORDER
1	643044	O-RING	4	
2	711702	BALL GUIDE	4	
3	770691	BALL	4	
4	590087	VALVE SEAT	4	
5	771130	O-RING	2	
6	771110	DIAPHRAGM	2	
7	709459	CENTER DISK (AIR SIDE)	2	
9	711687	OUT CHAMBERS	2	
10	682263	NUT	2	
11	682730	CONED DISK SPRING	2	
12	640154	O-RING	2	
14a	611177	BOLT	20	
14b	631917	WASHER	20	
15	804880	BODY ASSY.	1	
15-1	715939	AIR CHAMBER	2	
15-2	802360	PILOT VAVLE ASSY	2	
15-3	771057	GASKET	2	
15-4	640009	O-RING	2	
15-5	771945	VALVE SEAT	2	
15-6	708666	SPRING	2	
15-7	709812	BODY	1	
15-8	685276	O-RING	2	
15-9	780324	THROAT BEARING	2	
15-10	685414	PACKING	2	
15-11	682486	FLAT HEAD BOLT	8	
16	709162	CENTER ROD	1	
18	771054	CUSHION	2	
19	716373	OUT MANIFOLD	1	
20	802362	VALVE ASSY	1	
20-1	709161	RESET BUTTON	1	
20-2	640005	O-RING	1	
20-3	682704	BOLT	4	
20-4	771241	PACKING	1	
20-5	715961	PLAIN WASHER	1	
20-6	802400	C-SPOOL ASSY.	1	
20-6 seal	771053	SEAL RING	5	
20-7	710221	CAP	1	
20-8	771240	GASKET	2	
20-10	711639	VALVE BODY	1	
20-11	803931	SLEEVE ASSY.	1	
20-11-*1	771080	O-RING	6	
20-13	771914	CUSHION	1	
20-15	709305	CAP	1	
20-16	682262	BOLT	4	
21	682265	BOLT	6	
22	686970	BALL VALVE	1	
23	716374	IN MANIFOLD	1	
24	771056	GASKET	1	
25	804697	SILENCER	1	
30	709327	CENTER DISK (LIQUID SIDE)	2	
31T	643013	O-RING	4	
KIT	K32-MT	LIQUID END KIT		
KIT	K32-AM	AIR MOTOR KIT		



Tightening torque for center rod and out chambers.

Center Rod 29 ft-lbf {40 N-m}
Out Chambers 15 ft-lbf {20 N-m}

Tightening torque for manifold retainer bolts.
32BAT 26 ft-lbf {35 N-m}

General Tools:

- Socket wrenches - 10mm, 12mm, 13mm, 17mm, 22mm
- Hexagonal box wrench - 5mm
- Open-end wrenches - 22mm

Special Tool:

- Sleeve Remover (713148) (sold separately)

Miscellaneous:

- Assembly Oil - turbine oil class 1 (equivalent to ISO VG32 grade)
- Nuts - M14 x 1.5
- Urea grease grade (NLGI) No. 2
- Lubricants equivalent to Loctite anti-seize 767

Customer Notes

Model #: _____
Description: _____
Serial #: _____
Date Installed: _____
Department Location: _____
Tag/Project: _____