

Air Operated Double Diaphragm Pump



To Purchase:

☎ [800-990-7867](tel:800-990-7867)

✉ sales@yamadapump.com

📍 [Find My Rep](#)

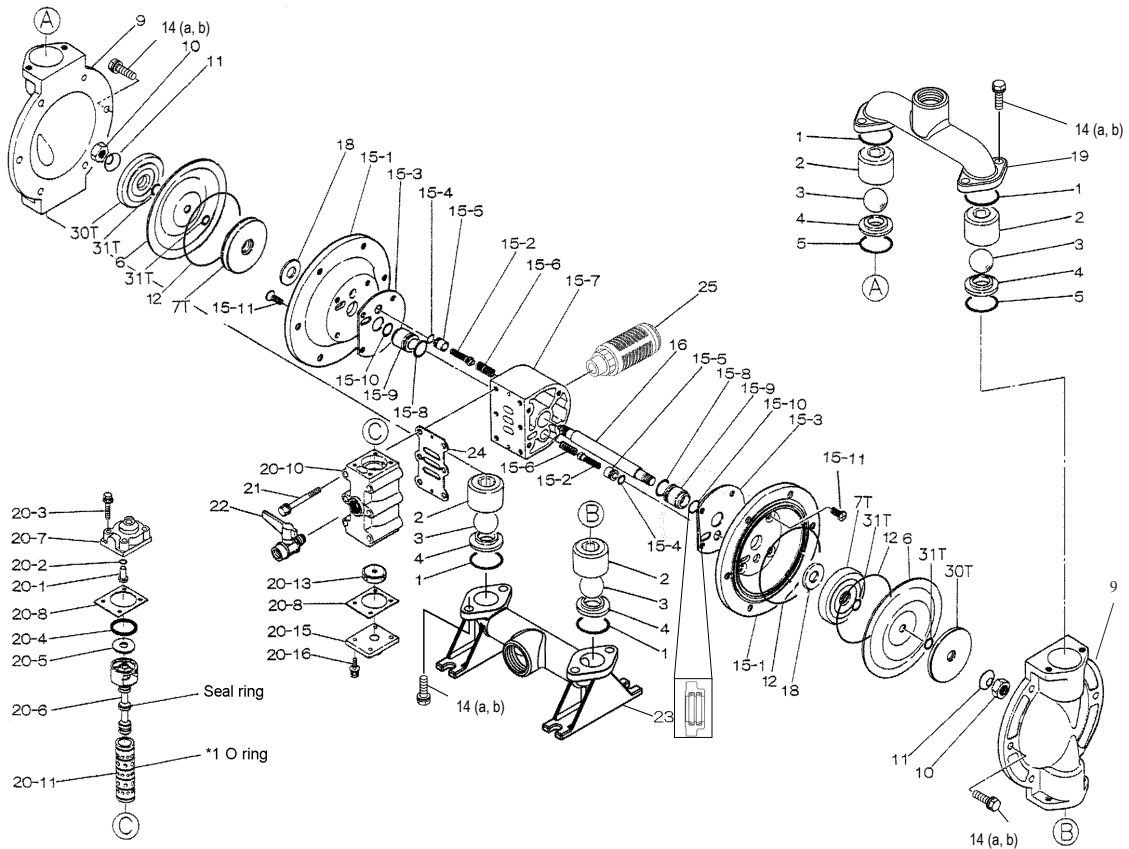
More Information:

▶ YouTube: [@yamadapump](#)

🌐 yamadapump.com

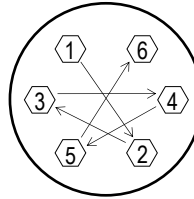
[Data Sheets](#) | [CAD Drawings](#) | [Manuals Literature](#) | [BOM](#) | [Performance Curves](#)

Trial Program



Air Operated Double Diaphragm Pump

REF. NO.	PART NO.	DESCRIPTION	QTY.
1	643044	O-RING	4
2	711702	BALL GUIDE	4
3	770691	BALL	4
4	717448	VALVE SEAT	4
5	771130	O-RING	2
6	771110	DIAPHRAGM	2
7T	709459	CENTER DISK (AIR SIDE)	2
9	711687	OUT CHAMBERS	2
10	682263	NUT	2
11	682730	CONED DISK SPRING	2
12	640154	O-RING	2
14a	611177	BOLT	20
14b	631917	WASHER	20
15	804880	BODY ASSY.	1
15-1	715939	AIR CHAMBER	2
15-2	802360	PILOT VALVE ASSY	2
15-3	771057	GASKET	2
15-4	640009	O-RING	2
15-5	771945	VALVE SEAT	2
15-6	708666	SPRING	2
15-7	709812	BODY	1
15-8	685276	O-RING	2
15-9	780324	THROAT BEARING	2
15-10	685414	PACKING	2
15-11	682486	FLAT HEAD BOLT	8
16	709162	CENTER ROD	1
18	771054	CUSHION	2
19	716373	OUT MANIFOLD	1
20	802362	VALVE ASSY	1
20-1	709161	RESET BUTTON	1
20-2	640005	O-RING	1
20-3	682704	BOLT	4
20-4	771241	PACKING	1
20-5	715961	PLAIN WASHER	1
20-6	802400	C-SPOOL ASSY.	1
20-6 seal	771053	SEAL RING	5
20-7	710221	CAP	1
20-8	771240	GASKET	2
20-10	711639	VALVE BODY	1
20-11	803931	SLEEVE ASSY.	1
20-11-*1	771080	O-RING	6
20-13	771914	CUSHION	1
20-15	709305	CAP	1
20-16	682262	BOLT	4
21	682265	BOLT	6
22	686970	BALL VALVE	1
23	716374	IN MANIFOLD	1
24	771056	GASKET	1
25	804697	SILENCER	1
30T	709327	CENTER DISK (LIQUID SIDE)	2
31T	643013	O-RING	4
KIT	K32-MT	LIQUID END KIT	
KIT	K32-AM	AIR MOTOR KIT	



[CLICK HERE FOR TORQUE](#)



General Tools:

- Socket wrenches - 10mm, 12mm, 13mm, 17mm, 22mm
- Hexagonal box wrench - 5mm
- Open-end wrenches - 22mm

Special Tool:

- Sleeve Remover (713148) (sold separately)

Miscellaneous:

- Nuts - M14 x 1.5
- Urea Grease Grade (NLGI) No. 2 for Center Rod (Ref#16)
- Lubricants - Equivalent to (LOCTITE ANTI-SEIZE 767) for Nuts/Bolts

[CLICK HERE FOR MAINTENANCE MANUAL](#)

Customer Notes

Model #: _____
 Description: _____
 Serial #: _____
 Date Installed: _____
 Department Location: _____
 Tag/Project: _____