

# NDP-32 Specifications

## Port Dimensions (50.2 GPM Max.)

### Intake & discharge connection:

Aluminum (ADC-12)	1-1/2" Fluid Intake Port 1-1/4" Fluid Discharge Port (NPT)
Air inlet (incl. ball valve):	3/8" Female NPT
Air exhaust (incl. silencer):	3/4" Female NPT

## Maximum Liquid Temperature\*

Diaphragm Material	Temperature
Buna N	180°F (82°C)
Santoprene® (TPO)	180°F (82°C)
PTFE	212°F (100°C)

\*The maximum liquid temperature for metal pumps is determined by the elastomer (diaphragm material).

## Air Supply Pressure (All Models)

20–100 PSI (1.4–7 kgf/cm<sup>2</sup>)

## Discharge Volume Per Cycle

Rubber diaphragm: 0.176 gallons  
PTFE diaphragm: 0.147

## Maximum Cycles Per Minute

Rubber diaphragm: 285  
PTFE diaphragm: 296

## Maximum Size Solid

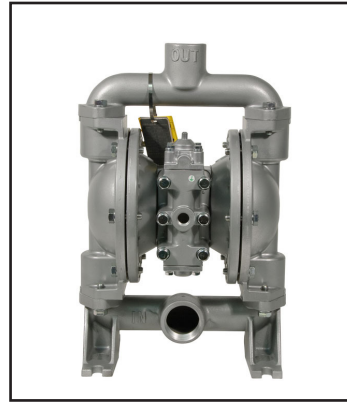
1/8" (3 mm)

## Air Motor

Aluminum air motor is standard

## Valve Type

Ball



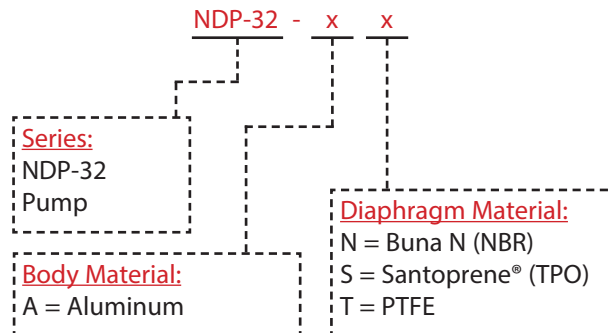
## Aluminum (NPT)

**Dimensions:** 11.18"L x 6.69"W x 16.87"H

**Net Wt.:** 26.5 lbs. (12.0 kg)

**Shipping Wt.:** 31.5 lbs.

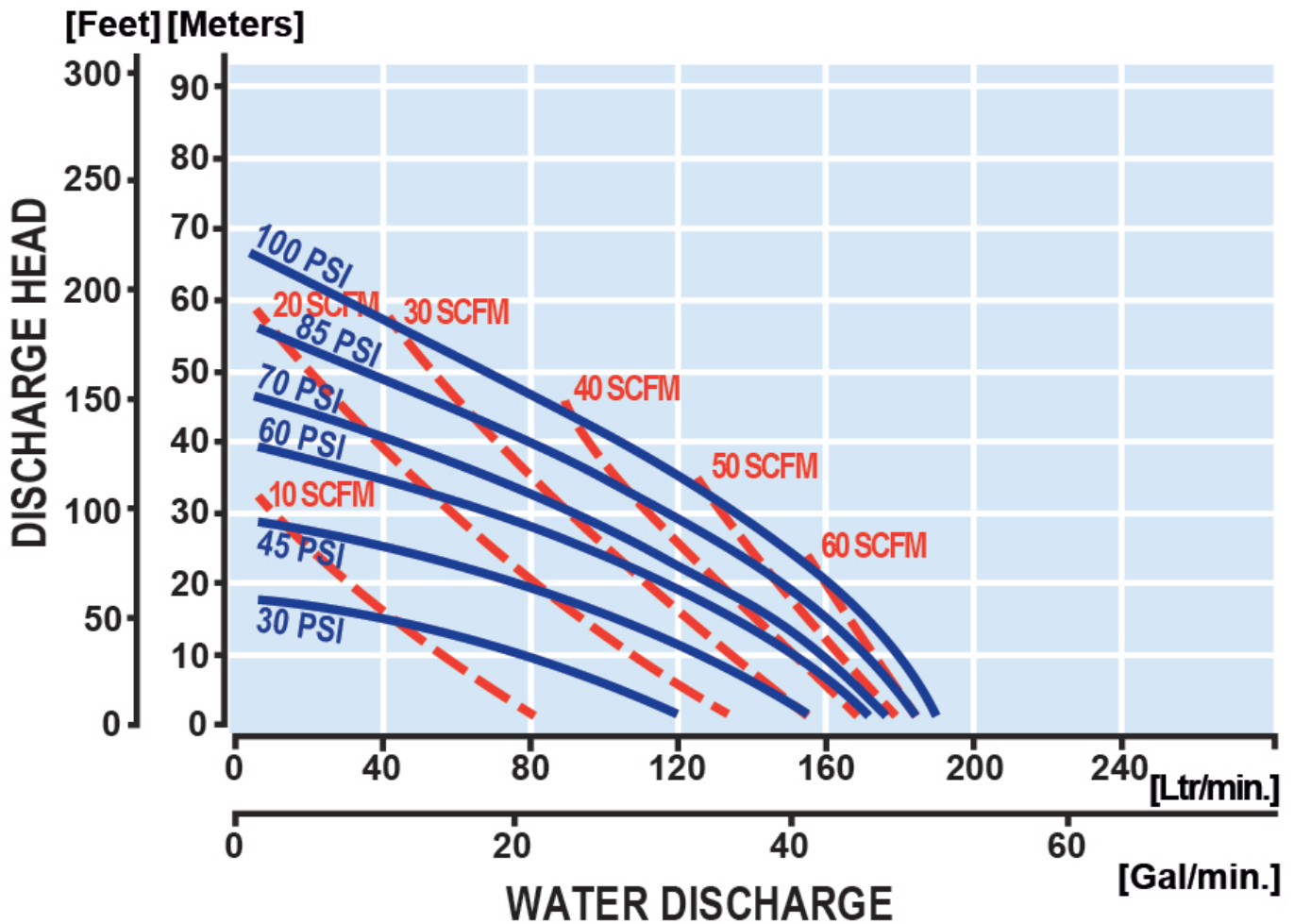
## Model Number Nomenclature



Notes: Santoprene® fitted pumps include EPDM wetted o-rings.

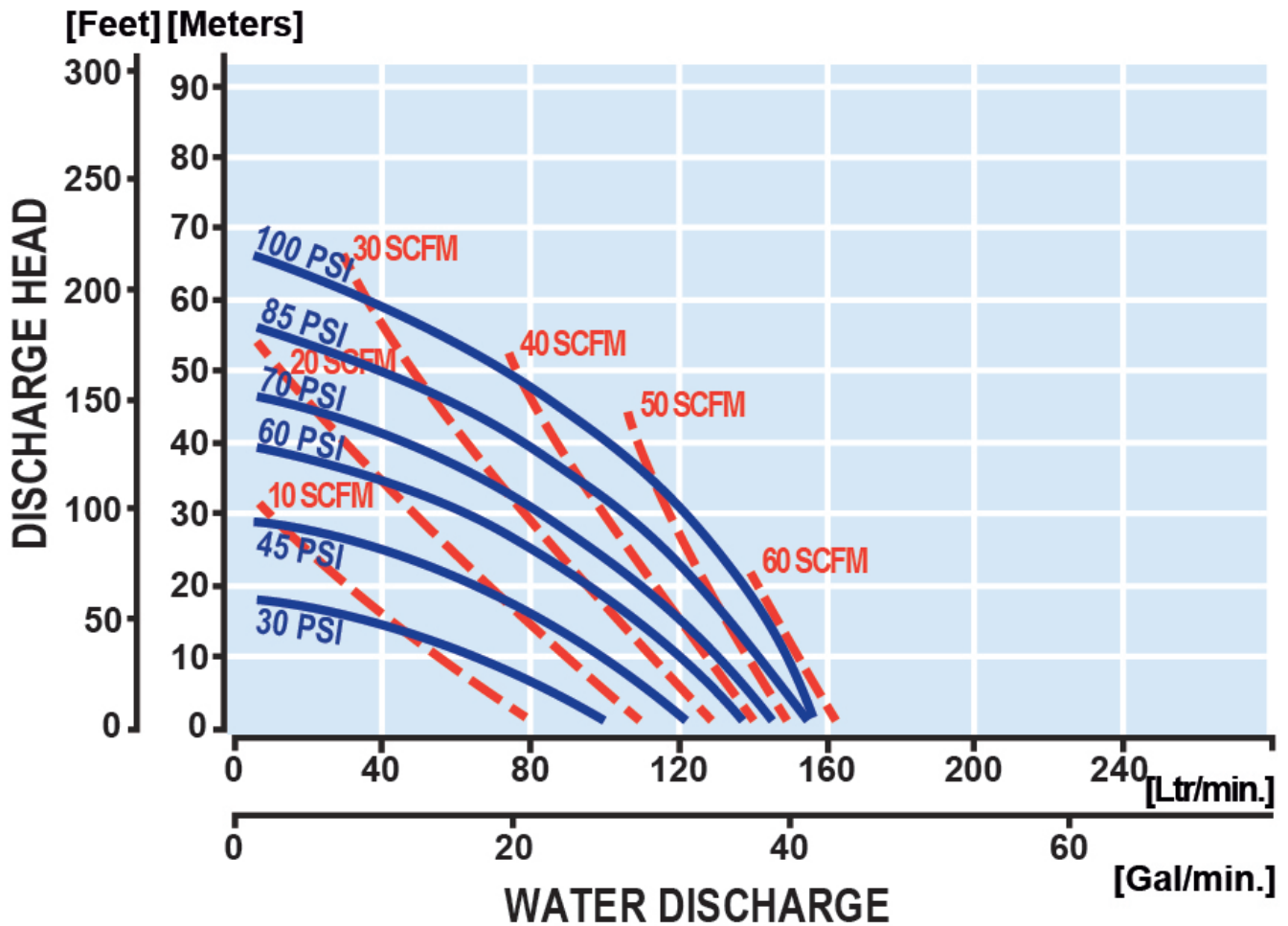
# NDP-32 Performance Curve - Rubber

## Rubber Diaphragm Performance Curve

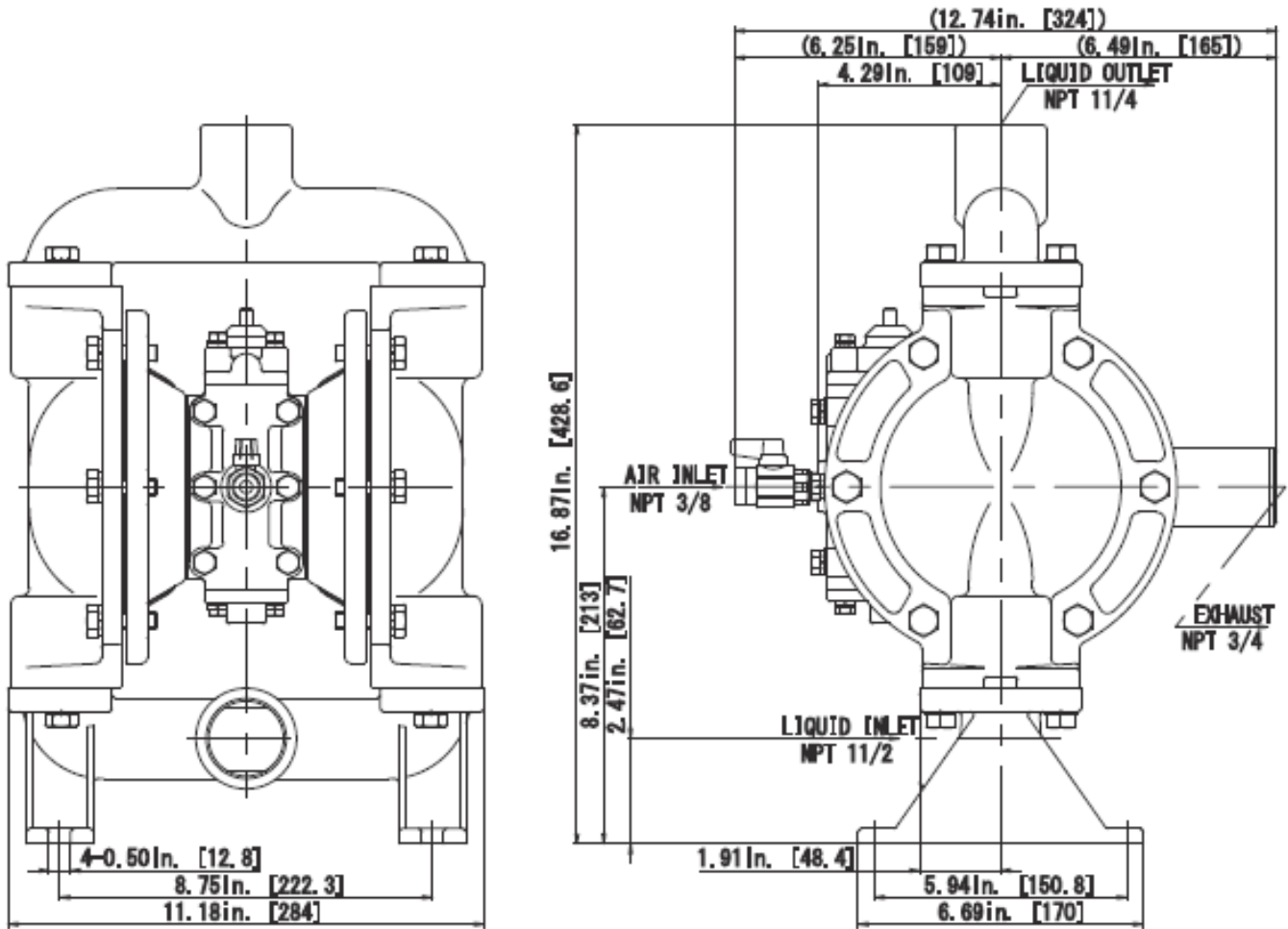


# NDP-32 Performance Curve - PTFE

## PTFE Diaphragm Performance Curve



# NDP-32 DIMENSIONAL DRAWING



**AutoCAD®** is a registered trademark of Autodesk, Inc.

**Hytrel®** is a registered trademark of E.I. du Pont de Nemours and Company.

**Kynar®** is a registered trademark of Arkema.

**Nordel™** is a trademark of DuPont Dow Elastomers.

**Ryton®** is a registered trademark of Chevron Phillips Chemical Company.

**Santoprene®** is a registered trademark of Advanced Elastomer Systems.

**Viton®** is a registered trademark of DuPont Performance Elastomers.

**Swagelok™ & VCR™** are trademarks of the Swagelok Companies.

**Flaretek®** is a registered trademark of Entegris.

**Garlock ONE-UP®** is a registered trademark of W.L. Gore & Associates.

**Yamada®** is a registered trademark of Yamada America, Inc.

**SolidPRO Designed to Pump Fluids Containing Solids®** is a registered trademark of Yamada America, Inc.

**Xtreme Duty Pro XDP®** is a registered trademark of Yamada America, Inc.

**The Proof's in the Pump®** is a registered trademark of Yamada America, Inc.

**The Proof is in the Pump®** is a registered trademark of Yamada America, Inc.

**Engineered to Perform. Designed to Outlast.™** is a trademark of Yamada America, Inc.

Due to Yamada's continued commitment to product improvement, specifications may change without notice.