

Air Operated Double Diaphragm Pump



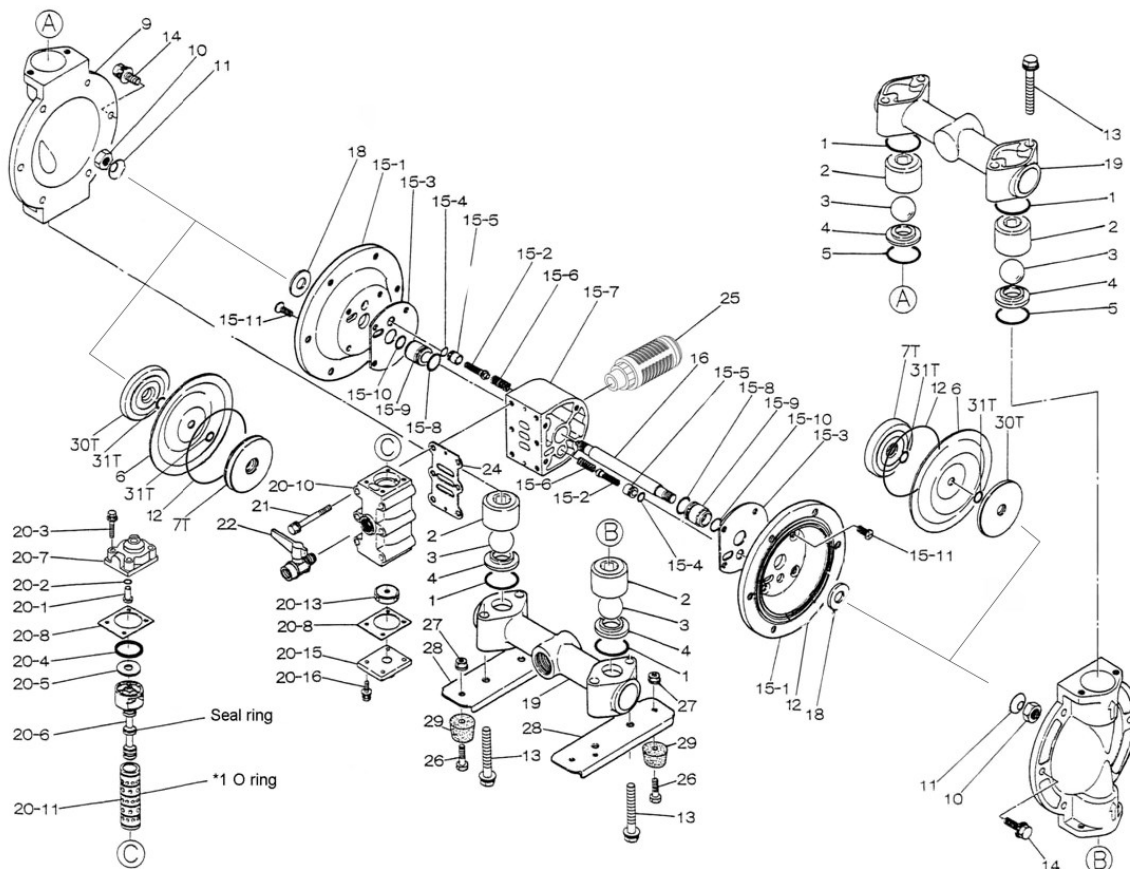
To Purchase:

- 800-990-7867
- sales@yamadapump.com
- Find My Rep

More Information:

- YouTube: @yamadapump
- yamadapump.com
- Data Sheets | CAD Drawings | Manuals Literature | BOM | Performance Curves*

Trial Program



Air Operated Double Diaphragm Pump

REF.NO.	PART NO.	DESCRIPTION	QTY	REORDER
1	643044	O-RING	4	
2	711703	BALL GUIDE 25SS/FC	4	
3	770691	BALL 25T -35MM PTFE	4	
4	711707	VALVE SEAT 25SS NEW	4	
5	771130	O-RING	2	
6	771110	DIAPHRAGM (PTFE) 25	2	
7T	709459	CENTER DISC 25T	2	
9	711694	OUT CHAMBER 25SS	2	
10	682263	NUT SS M14 X 1.5	2	
11	682730	CONED DISK SPRING M14	2	
12	640154	O RING	2	
13	621185	BOLT(M10X1.5X70SUS304)	8	
13	631937	WAVE WASHER	8	
14	621177	BOLT(M10X1.5X35 SUS304)	12	
14	631937	WAVE WASHER	12	
15	804665	BODY ASSY.	1	
15- 1	715939	AIR CHAMBER	2	
15- 2	802360	PILOT VALVE ASSY. 20/25	2	
15- 3	771057	GASKET 20/25	2	
15- 4	640009	O-RING	2	
15- 5	771945	PILOT VALVE SEAT 20/25	2	
15- 6	708666	SPRING 20/25	2	
15- 7	709812	BODY 20/25	1	
15- 8	685276	O-RING	2	
15- 9	772703	THROAT BEARING 20/25 N	2	
15-10	685414	V-PACKING 20/25	2	
15-11	682486	BOLT FLAT HD W/ WASHE	8	
16	709162	CENTER ROD 25	1	
18	771054	CUSHION 20/25	2	
19	831271	MANIFOLD 25SS	2	
20	802362	VALVE ASSY	1	
20- 1	709161	RESET BUTTON 20/25	1	
20- 2	640005	O-RING	1	
20- 3	682704	BOLT M6 FT ZINC W/ WAS	4	
20- 4	771241	PACKING 20/25	1	
20- 5	715961	WASHER	1	
20- 6	802400	C SPOOL ASSY.	1	
20-6-seal	771053	SEAL RING	5	
20- 7	710221	CAP A 20/25 METAL	1	
20- 8	771240	GASKET 20/25	2	
20-10	711639	VALVE BODY 20/25 METAL	1	
20-11	803931	SLEEVE ASSY.	1	
20-11-*1	771080	O-RING	6	
20-13	771914	CUSHION 20/25	1	
20-15	709305	CAP B 20/25 METAL	1	
20-16	682262	BOLT M6 FT ZINC W/ WAS	4	
21	682265	BOLT M8 PT ZINC W/ WAS	6	
22	684320	BALL VALVE	1	
24	771056	GASKET 20/25	1	
25	804697	MUFFLER 20/25PP NEW	1	
26	611148	BOLT M8X1.25X22 HEX FT	4	
27	682276	NUT W/ FLANGE M8 X 1.2	4	
28	709156	BASE 25 METAL	2	
29	770551	FOOT RUBBER	4	
30T	709331	CENTER DISC 25SS/FC-T	2	
31T	643013	O RING 13.8MM X 2.4MM	4	
KIT	K25-MT-1	LIQUID END KIT		
KIT	K225-AM	AIR MOTOR KIT		

**General Tools:**

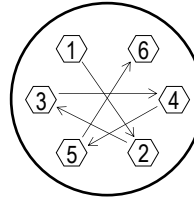
- Socket wrenches - 10mm, 12mm, 13mm, 17mm, 22mm
- Hexagonal box wrench - 5mm
- Open-end wrenches - 22mm

**Special Tools:**

- Sleeve remover (713148) used to remove sleeves (sold separately).

**Miscellaneous:**

- Assembly Oil - turbine oil none additional class 1 (equivalent to ISO VGA32 grade)
- Nuts - M14 x 1.5
- Urea grease grade (NLGI) No. 2
- Lubricants - equivalent to Loctite Anti-Seize 767



**Tightening torque for center rod and out chambers.**

Center Rod 29 ft-lbf {40 N-m}  
Out Chambers 15 ft-lbf {20 N-m}

**Tightening torque for manifold bolts.**

25BST 28 ft-lbf {35 N-m}

**Customer Notes**

Model #: \_\_\_\_\_  
Description: \_\_\_\_\_  
Serial #: \_\_\_\_\_  
Date Installed: \_\_\_\_\_  
Department Location: \_\_\_\_\_  
Tag/Project: \_\_\_\_\_