

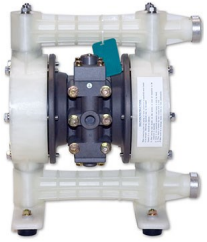
# EXPLODED VIEW & PARTS LISTING

## Air Operated Double Diaphragm Pump

Model: NDP-20BP[x]

Polypropylene Series

Rubber fitted w/metal center body



### To Purchase:

☎ 800-990-7867

✉ sales@yamadapump.com

📍 Find My Rep

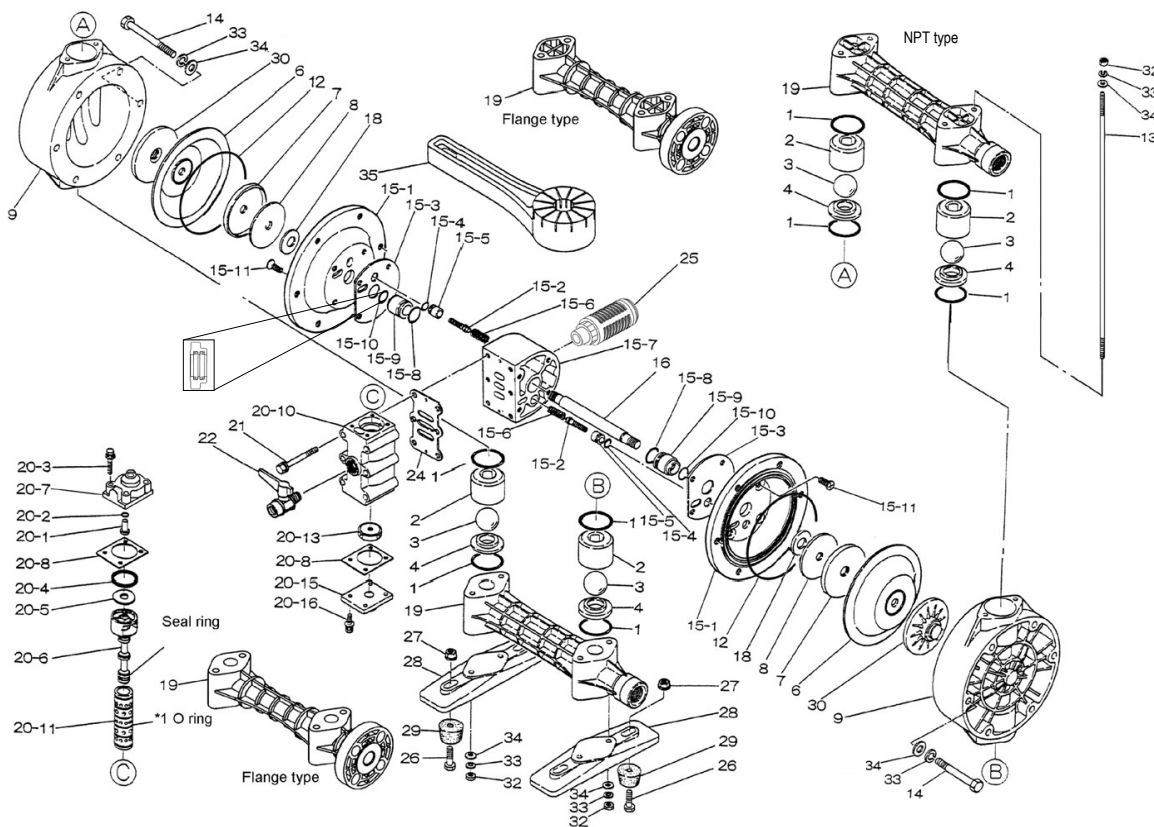
### More Information:

▶ YouTube: @yamadapump

🌐 yamadapump.com

Data Sheets | CAD Drawings | Manuals Literature | BOM | Performance Curves

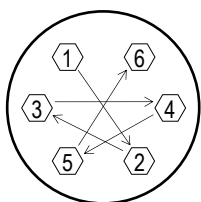
### Trial Program



Air Operated Double Diaphragm Pump

Rubber fitted w/metal center body

	NDP-20BPC	NDP-20BPE	NDP-20BPH	NDP-20BPN	NDP-20BPS	NDP-20BPV				
NPT	851665	852383	852069	852382	852695	852384		** NPT PUMPS **		
FLANGE	853828	853830	853833	853829	853834	853831		** FLANGE PUMPS **		
REF. No.	PARTS No.	PARTS No.	PARTS No.	PARTS No.	PARTS No.	PARTS No.	DESCRIPTION	QTY.	REORDER	
1	640033	684116	640033	640033	684116	642033	O-RING	8		
2	771216	771216	771216	771216	771216	771216	BALL GUIDE	4		
3	770705	770723	773126	770720	773170	770726	BALL	4		
4	780137	780137	780137	780137	780137	780137	VALVE SEAT	4		
6	772957	772959	771362	772958	771973	772960	DIAPHRAGM	2		
7	709153	709153	716225	709153	716225	709153	CENTER DISK (AIR SIDE)	2		
8	709152	709152	716226	709152	716226	709152	WASHER	2		
9	780134	780134	780134	780134	780134	780134	OUT CHAMBER	2		
12	-	-	640151	-	640151	-	O-RING	2		
13	710122	710122	710122	710122	710122	710122	TIE ROD	4		
14	621163	621163	621163	621163	621163	621163	BOLT	12		
15	804878	804878	804878	804878	804878	804878	CENTER BODY ASSY.	1		
15-1	715938	715938	715938	715938	715938	715938	AIR CHAMBER	2		
15-2	802360	802360	802360	802360	802360	802360	PILOT VALVE ASSY.	2		
15-3	771057	771057	771057	771057	771057	771057	GASKET	2		
15-4	640009	640009	640009	640009	640009	640009	O-RING	2		
15-5	771945	771945	771945	771945	771945	771945	PILOT VALVE SEAT	2		
15-6	708666	708666	708666	708666	708666	708666	SPRING	2		
15-7	711503	711503	711503	711503	711503	711503	BODY	1		
15-8	685276	685276	685276	685276	685276	685276	O-RING	2		
15-9	780324	780324	780324	780324	780324	780324	THROAT BEARING	2		
15-10	685414	685414	685414	685414	685414	685414	V-PACKING	2		
15-11	682486	682486	682486	682486	682486	682486	BOLT	8		
16	710252	710252	710252	710252	710252	710252	CENTER ROD	1		
18	771054	771054	771054	771054	771054	771054	CUSHION	2		
19	780010	780010	780010	780010	780010	780010	MANIFOLD (NPT)	2		
19	780208	780208	780208	780208	780208	780208	MANIFOLD (FLANGE)	2		
20	802809	802809	802809	802809	802809	802809	AIR VALVE ASSY.	1		
20-1	709161	709161	709161	709161	709161	709161	RESET BUTTON	1		
20-2	640005	640005	640005	640005	640005	640005	O-RING	1		
20-3	682704	682704	682704	682704	682704	682704	BOLT	4		
20-4	771241	771241	771241	771241	771241	771241	PACKING	1		
20-5	715961	715961	715961	715961	715961	715961	WASHER	1		
20-6	802400	802400	802400	802400	802400	802400	C-SPOOL ASSY.	1		
206-seal	771053	771053	771053	771053	771053	771053	SEAL RING	5		
20-7	711219	711219	711219	711219	711219	711219	CAP A	1		
20-8	771240	771240	771240	771240	771240	771240	GASKET	2		
20-10	711640	711640	711640	711640	711640	711640	VALVE BODY	1		
20-11	803931	803931	803931	803931	803931	803931	SLEEVE ASSY.	1		
20-11-*1	771080	771080	771080	771080	771080	771080	O-RING	6		
20-13	771914	771914	771914	771914	771914	771914	CUSHION	1		
20-15	711212	711212	711212	711212	711212	711212	CAP B	1		
20-16	682262	682262	682262	682262	682262	682262	BOLT	4		
21	682265	682265	682265	682265	682265	682265	BOLT	6		
22	686968	686968	686968	686968	686968	686968	BALL VALVE	1		
24	771056	771056	771056	771056	771056	771056	GASKET	1		
25	804697	804697	804697	804697	804697	804697	MUFFLER	1		
26	611151	611151	611151	611151	611151	611151	BOLT	4		
27	682276	682276	682276	682276	682276	682276	NUT W/FLANGE	4		
28	771219	771219	771219	771219	771219	771219	BASE	2		
29	770551	770551	770551	770551	770551	770551	FOOT RUBBER	4		
30	780123	780123	780123	780123	780123	780123	CENTER DISK (LIQUID SIDE)	2		
32	683635	683635	683635	683635	683635	683635	NUT	8		
33	681300	681300	681300	681300	681300	681300	SPRING WASHER	20		
34	631329	631329	631329	631329	631329	631329	FLAT WASHER	20		
35	771244	771244	771244	771244	771244	771244	TOOL	2		
KIT	K20-PC	K20-PE	K20-PH	K20-PN	K20-PS	K20-PV	LIQUID SIDE KIT			
KIT	K225-AM						AIR MOTOR KIT			



**Tightening torque for center rod and out chambers.**

Center Rod	29 ft-lbf {40 N-m}
Out Chambers C/N/E/V	8 ft-lbf {10 N-m}
Out Chambers H/S	10 ft-lbf {13 N-m}

**Tightening torque for manifold retainer nuts.**

BPC/E/H/N/S/V	8 ft-lbf {10 N-m}
---------------	-------------------

**General Tools:**

- Socket wrenches - 10mm, 12mm, 13mm, 17mm, 22mm
- Hexagonal box wrench - 5mm
- Open-end wrenches - 13mm

**Special Tools:**

- Disc remover (771244) (included)
- Sleeve remover (713148) (sold separately)

**Miscellaneous:**

- Assembly Oil - turbine oil class 1 - no additives (equivalent to ISO VG32 grade)
- Nuts - M14 x 1.5
- Urea grease grade (NLGI) No. 2
- Lubricants equivalent to (Loctite Anti-Seize 767)

<b>Customer Notes</b>	
Model #:	_____
Description:	_____
Serial #:	_____
Date Installed:	_____
Department Location:	_____
Tag/Project:	_____