

EXPLODED VIEW & PARTS LISTING

Air Operated Double Diaphragm Pump

Model: DP-25F Ball Valve
 High Purity Pump
 853704 DP-25F Flange
 853716 DP-25F-FT



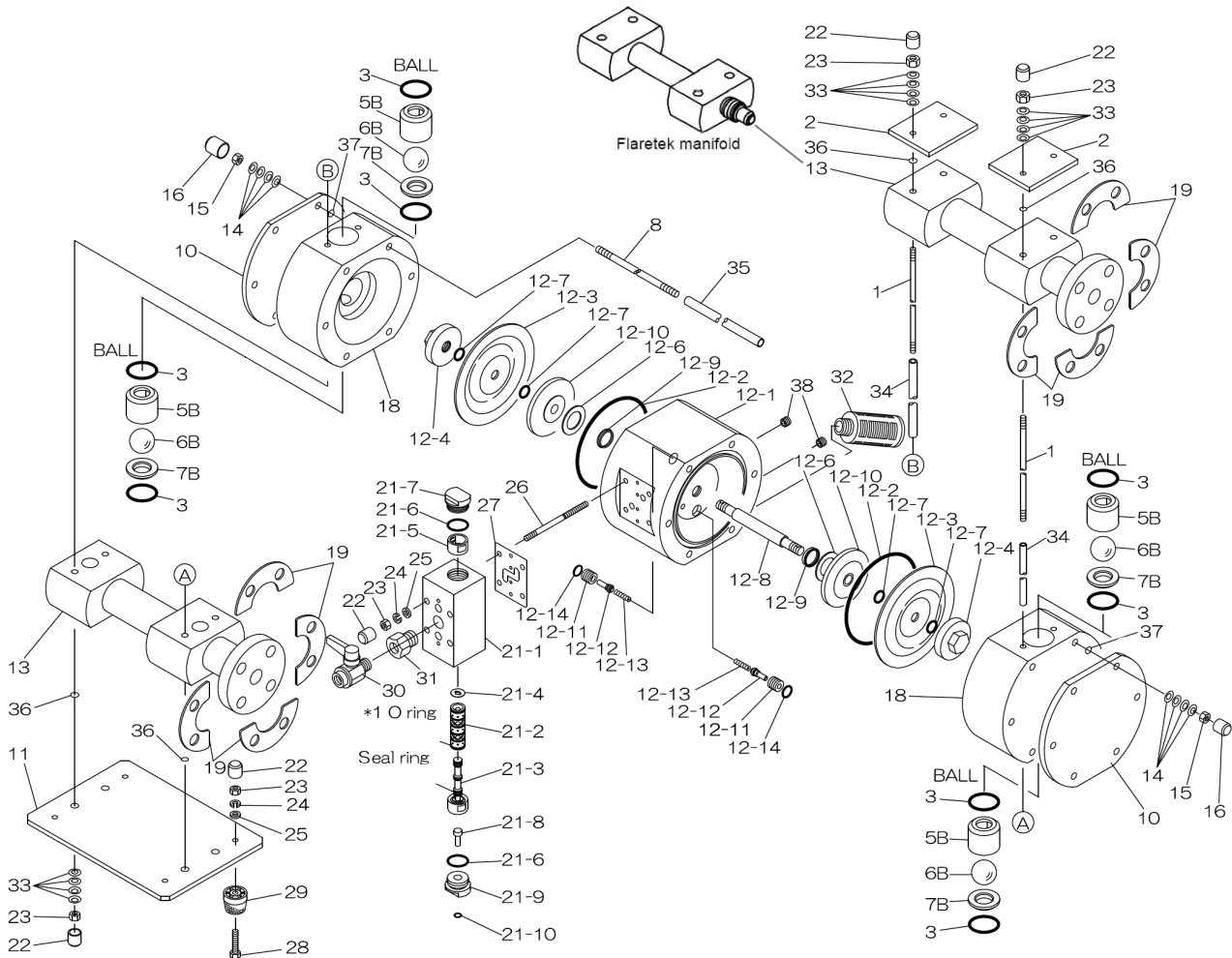
To Purchase:

- 800-990-7867
- sales@yamadapump.com
- Find My Rep

More Information:

- YouTube: @yamadapump
- yamadapump.com
- Data Sheets | CAD Drawings | Manuals Literature | BOM | Performance Curves

Trial Program



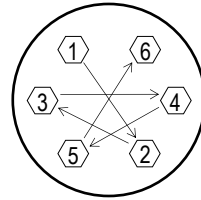
EXPLODED VIEW & PARTS LISTING

Model: DP-25F Ball Valve
 High Purity Pump
 853704 DP-25F Flange
 853716 DP-25F-FT



Air Operated Double Diaphragm Pump

| REF. NO. | PARTS NO. | DESCRIPTION | QTY | REORDER |
|----------|-------------|-------------------------------|-----|---------|
| 1 | 714511 | TIE ROD | 4 | |
| 2 | 772423 | PROTECTOR | 2 | |
| 3 | 643041 | O RING | 8 | |
| 5B | 772774 | BALL GUIDE | 4 | |
| 6B | 770691 | BALL | 4 | |
| 7B | 772770 | VALVE SEAT | 4 | |
| 8 | 714524 | TIE ROD | 6 | |
| 10 | 772422 | PROTECTOR | 2 | |
| 11 | 772421 | BASE | 1 | |
| 12 | 804117 | BODY ASSY | 1 | |
| 12-1 | 772418 | BODY | 1 | |
| 12-2 | 643156 | O RING PTFE | 2 | |
| 12-3 | 771110 | DIAPHRAGM | 2 | |
| 12-4 | 780181 | CENTER DISK 25F OUTER | 2 | |
| 12-6 | 772425 | CUSHION 25F-UHP | 2 | |
| 12-7 | 643013 | O RING | 4 | |
| 12-8 | 714510 | CENTER ROD 25F | 1 | |
| 12-9 | 685161 | V-PACKING 25F-UHP | 2 | |
| 12-10 | 711481 | CENTER DISK 25F INNER | 2 | |
| 12-11 | 772458 | PILOT VALVE SEAT 25F | 2 | |
| 12-12 | 804118 | PILOT VALVE ASSY 25F | 2 | |
| 12-13 | 711193 | SPRING | 2 | |
| 12-14 | 642013 | O RING | 2 | |
| 13 | 772600 | MANIFOLD 25F FLANGE | 2 | |
| 13 | 772604 | MANIFOLD 25F FLARETEK | 2 | |
| 14 | 681303 | LOCK WASHER | 48 | |
| 15 | 683636 | NUT | 12 | |
| 16 | 771644 | CAP | 12 | |
| 18 | 772419 | OUT CHAMBER 25F | 2 | |
| 19 | 711205 | PROTECTOR (FLG ONLY) | 1 | |
| 21 | 804302 | VALVE BODY ASSY | 1 | |
| 21-1 | 832569 | VALVE BODY | 1 | |
| 21-2 | 803747 | SLEEVE ASSY | 1 | |
| 21-3 | 803432 | C SPOOL ASSY | 1 | |
| 21-4 | 771483 | CUSHION | 1 | |
| 21-5 | 771939 | SPRING HOLDER | 1 | |
| 21-6 | 642025 | O RING | 2 | |
| 21-7 | 771992 | CAP | 1 | |
| 21-8 | 771509 | RESET BUTTON | 1 | |
| 21-9 | 771940 | CAP | 1 | |
| 21-10 | 642005 | O RING | 1 | |
| 22 | 771783 | CAP | 16 | |
| 23 | 683635 | NUT | 16 | |
| 24 | 681300 | SPRING WASHER | 8 | |
| 25 | 631173 | WASHER | 8 | |
| 26 | 711194 | BOLT | 4 | |
| 27 | 772434 | GASKET | 1 | |
| 28 | 621155 | BOLT | 4 | |
| 29 | 771402 | FOOT RUBBER | 4 | |
| 30 | 686970 | BALL VALVE 25F | 1 | |
| 31 | 773468 | UNION | 1 | |
| 32 | 684501 | MUFFLER | 1 | |
| 33 | 681880 | CONED DISK SPRING | 32 | |
| 34 | 772556 | TUBE | 4 | |
| 35 | 772557 | TUBE | 6 | |
| 36 | 642006 | O RING | 8 | |
| 37 | 642009 | O RING | 12 | |
| 38 | 771301 | PLUG 25F | 2 | |
| KIT | K25/38-F-BV | KIT FOR DP-25F&38F BALL VALVE | | |
| KIT | K25-F | KIT FOR DP-25F | | |



Tightening torque for center rod
 Center Rod 400 in-lbf {45 N-m}

Tightening torque for tie rods
 Vertical 60 in-lbf {7 N-m}
 Horizontal 80 in-lbf {10 N-m}

General Tools:

- Socket wrench - 17mm, 13mm
- Open-end wrenches - 17mm, 13mm
- Adjustable angle wrench

Special Tools (sold separately):

- Sleeve remover (713148) used to remove sleeves.
- Pilot valve remover (712606)
- Torque Wrench (804310) used to retighten the center disk
- PP Wrench (771868) used to remove the center disk

Miscellaneous:

- Nuts - M14 x 1.5
- Assembly Oil - GR AR555 or equivalent

Customer Notes

Model #: _____
 Description: _____
 Serial #: _____
 Date Installed: _____
 Department Location: _____
 Tag/Project: _____