

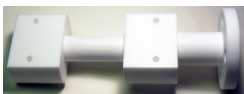
EXPLODED VIEW & PARTS LISTING

Air Operated Double Diaphragm Pump

Model: DP-20F Flat Valve
 High Purity Pump
 853700 DP-20F NPT
 853702 DP-20F Flange
 853713 DP-20F Flaretek
 853713-FT-1 DP-20F Flaretek 1"



NDP-20F NPT



Flange Manifold



Flaretek Manifold

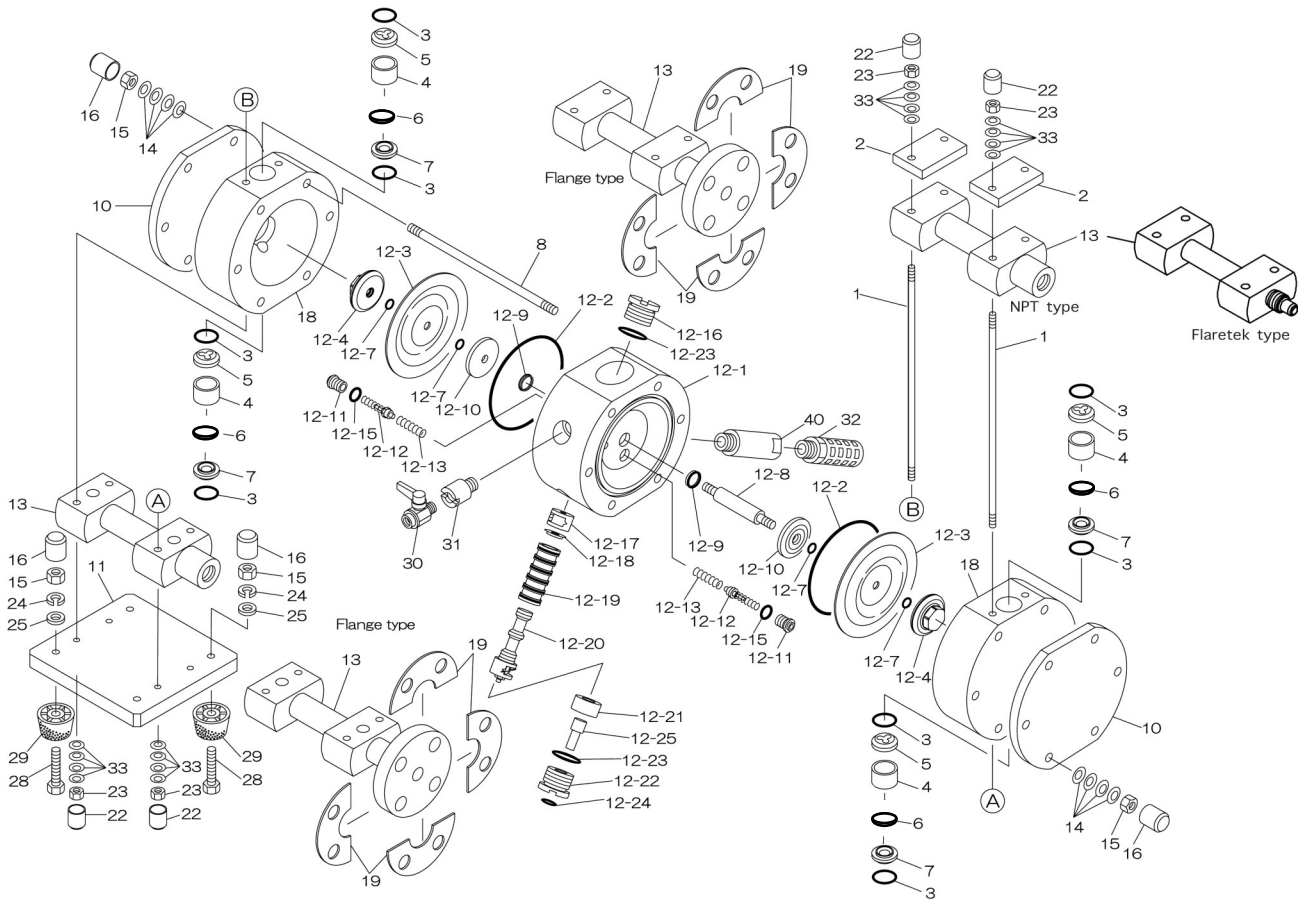
To Purchase:

☎ 800-990-7867
 ✉ sales@yamadapump.com
 📍 [Find My Rep](#)

More Information:

▶ YouTube: [@yamadapump](#)
 🌐 yamadapump.com
 📄 [Data Sheets](#) | [CAD Drawings](#) | [Manuals](#)
 📖 [Literature](#) | [BOM](#) | [Performance Curves](#)

Trial Program



EXPLODED VIEW & PARTS LISTING

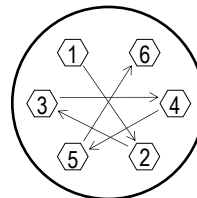
Air Operated Double Diaphragm Pump

Model: DP-20F Flat Valve
 High Purity Pump
 853700 DP-20F NPT
 853702 DP-20F Flange
 853713 DP-20F Flaretek
 853713-FT-1 DP-20F Flaretek 1"



REF. No.	PART No.	DESCRIPTION	QTY.
1	715869	TIE ROD 20F	4
2	771472	PROTECTOR 20F	2
3	643033	O-RING	8
4	770994	BALL GUIDE 20F	4
5	772656	FLAT VALVE RECEIVER	4
6	771538	FLAT VALVE	4
7	772657	VALVE SEAT	4
8	715870	TIE ROD	6
10	771475	PROTECTOR	2
11	771473	BASE	1
12	805307	CENTER BODY ASSY	1
12-1	831585	BODY	1
12-2	643151	O-RING	2
12-3	770805	DIAPHRAGM	2
12-4	780180	CENTER DISK	2
12-7	643007	O-RING	4
12-8	711185	CENTER ROD	1
12-9	685084	V-PACKING	2
12-10	707765	CENTER DISK 20F INNER	2
12-11	711181	VALVE SEAT	2
12-12	802696	PILOT VALVE	2
12-13	711184	SPRING	2
12-15	642004	O-RING	2
12-16	771839	CAP	1
12-17	772658	SPRING RETAINER	1
12-18	771483	CUSHION	1
12-19	802747	SLEEVE ASSY	1
12-20	805303	C SPOOL ASSY	1
12-21	771485	SPACER	1
12-22	771838	CAP	1
12-23	642019	O-RING	2
12-24	642005	O-RING	1
12-25	771487	RESET BUTTON	1
13	771476	MANIFOLD 20F NPT 3/4"	2
13	771471	MANIFOLD 20F FLANGE 3/4"	2
13	771811	MANIFOLD 20F FLARETEK 3/4"	2
13	771833	MANIFOLD 20F FLARETEK 1"	2
14	684916	CONED DISK SPRING	48
15	683635	NUT	16
16	771783	CAP	16
18	770995	OUT CHAMBER	2
22	771114	CAP	8
23	683634	NUT	8
24	681300	SPRING WASHER	4

25	631173	WASHER	4
28	621155	BOLT	4
29	770551	FOOT RUBBER	4
30	686826	BALL VALVE	1
31	771542	UNION	1
32	681293	MUFFLER	1
33	684915	CONED DISK SPRING	32
40	771543	UNION	1
KIT	K20-F	KIT FOR DP-20F	
KIT	K20-F-FV	KIT FOR DP-20F FLAT VALVE	



[CLICK HERE FOR TORQUE](#)



General Tools:

- Socket wrench - 10mm, 13mm
- Open-end wrenches - 10mm, 13mm
- Pliers

Special Tools (sold separately):

- Sleeve remover (713148).
- Pilot valve remover (712606).
- Torque Wrench (804309) used to retighten the center disk.
- PP Wrench (771868) used to remove the center disk.
- Cap and disk remover (771132).

Miscellaneous:

- Assembly Lubrication Oil - Fomblin® GR AR555 or equivalent for Center Rod (Ref# 12-8)
- Nuts - M10 x 1.5

[CLICK HERE FOR MAINTENANCE MANUAL](#)

Customer Notes

Model #: _____
 Description: _____
 Serial #: _____
 Date Installed: _____
 Department Location: _____
 Tag/Project: _____