

EXPLODED VIEW & PARTS LISTING

Air Operated Double Diaphragm Pump

Model: NDP-40BSH-FDA

Part#: 852638-FDA



To Purchase:

☎ 800-990-7867

✉ sales@yamadapump.com

📍 Find My Rep

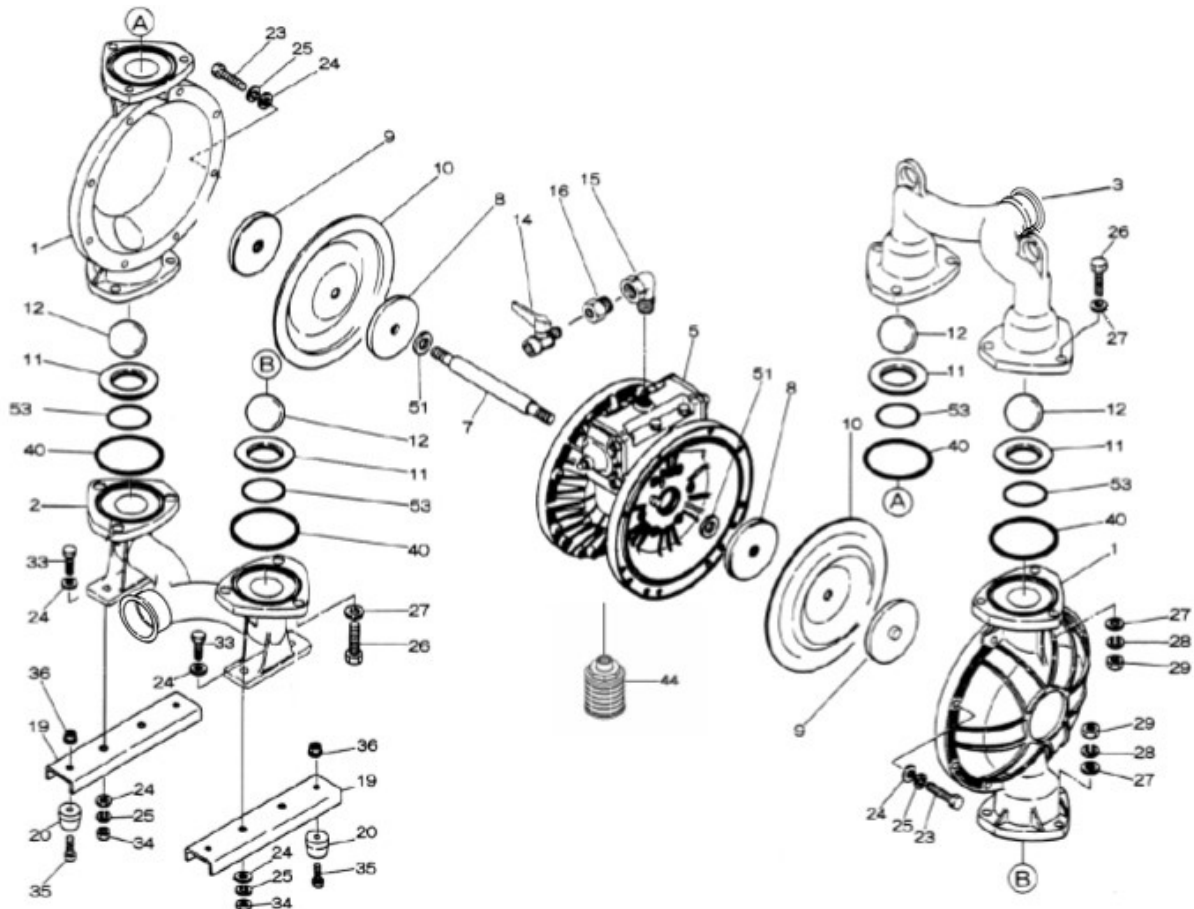
More Information:

▶ YouTube: @yamadapump

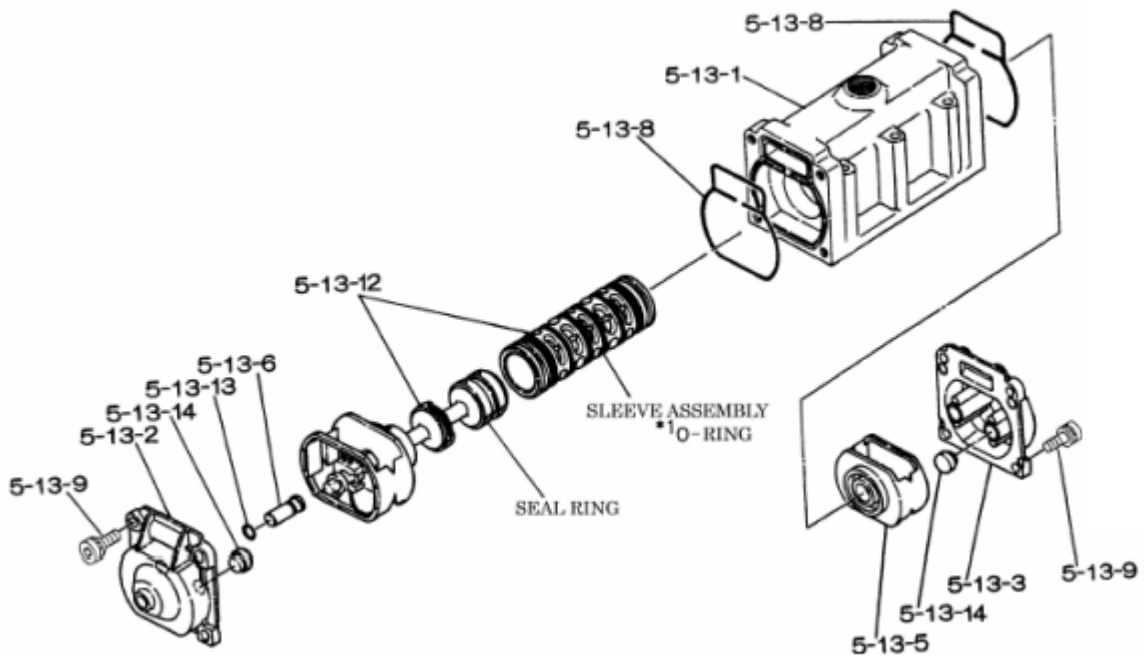
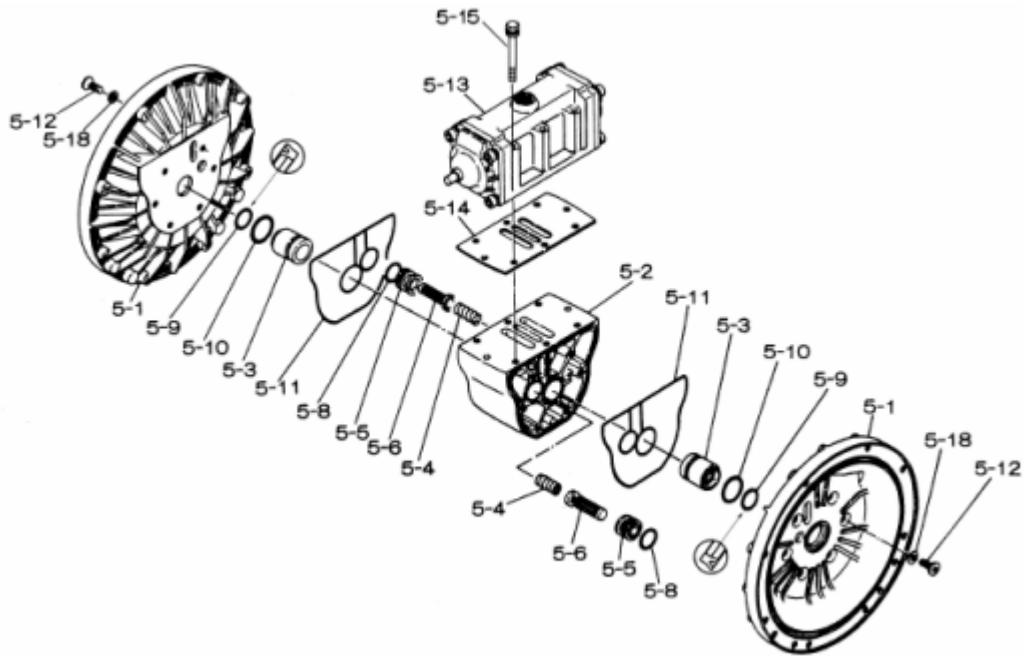
🌐 yamadapump.com

*Data Sheets | CAD Drawings | Manuals
Literature | BOM | Performance Curves*

Trial Program



Air Operated Double Diaphragm Pump

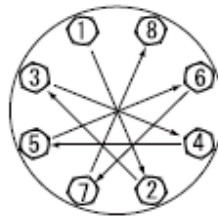


Air Operated Double Diaphragm Pump

Ref. No.	Part No.	Description	Qty.	Reorder
1	712931-EP	Out Chamber	2	
2	712601-TC-EP	In Manifold	1	
3	712600-TC-EP	Out Manifold	1	
5	803111-XP	Body Assembly	1	
5-1	711933-XP	Air Chamber	2	
5-2	711936-XP	Body	1	
5-3	772689	Throat Bearing	2	
5-4	711937	Spring	2	
5-5	771740	Pilot Valve Seat	2	
5-6	832162	Pilot Valve Assembly	2	
5-8	640020	O-ring	2	
5-9	685444	Packing	2	
5-10	640029	O-ring	2	
5-11	771742	Gasket	2	
5-12	682486-S	Flat Head Bolt	12	
5-13	802971-XP	Valve Body Assembly	1	
5-13-1	711931-XP	Valve Body	1	
5-13-2	580999-XP	Cap A	1	
5-13-3	581000-XP	Cap B	1	
5-13-5	771735	Spring Stopper	1	
5-13-6	712976-S	Reset Button	1	
5-13-8	771738	Gasket	2	
5-13-9	685036	Bolt	8	
5-13-12	805084	C Spool Valve Assy.	1	
5-13-12 *1 Sleeve	803675	Sleeve Assembly	1	
5-13-13	640005	O-ring	1	
5-13-14	684128	Cushion	4	
5-14	771712	Gasket	1	
5-15	684240-S	Bolt	6	
5-18	684987	Plain Washer	12	
7	711900-FDA	Center Rod	1	
8	711902	Center Disk	2	
9	711903-EP	Center Disk	2	
10	771701	Diaphragm	2	
11	711908-EP	Valve Seat	4	
12	770692	Ball	4	
14	686972	Ball Valve	1	
15	682523	Elbow	1	
16	684339	Bushing	1	
19	711911-XP	Pump Base	2	
20	771402	Cushion	4	
23	621180	Bolt	16	
24	631174	Plain Washer	4	
26	621202	Bolt	12	
27	631175	Plain Washer	12	
28	631938	Spring Lock Washer	12	
29	628014	Nut	12	
33	621175	Bolt	4	
34	628013	Nut	4	
35	611149	Bolt	4	
36	682276	Nut with Flange	4	
40	643065	O-ring	4	
44	804764	Silencer	1	
51	770582	Cushion	2	
53	643136	O-ring	4	
KIT	K40-MH-FDA	LIQUID END KIT		
KIT	K45-AM	AIR MOTOR KIT		

Tightening torque for center rod and out chambers.

Center Rod 43 ft-lbf (60 N-m)
Out Chambers 29 ft-lbf (40 N-m)



Tightening torque for manifold retainer bolts.

BSH-FDA 18 ft-lbf (25 N-m)

General Tools:

Socket Wrenches: 13mm, 17mm, 19mm, 24mm
Hexagonal Box Wrenches: 5mm, 6mm
Open-end wrenches: 19mm, 24mm

Special Tools: 713180 Sleeve Remover (sold separately)

Misc: Turbine Oil None Class 1 (equivalent ISO VG 32 grade)

Nuts m16 x 1.5
Thread Locker
Urea grease grade (NLGI) No. 2

Customer Notes

Model #: _____
Description: _____
Serial #: _____
Date Installed: _____
Department Location: _____
Tag/Project: _____