

EXPLODED VIEW & PARTS LISTING

Air Operated Double Diaphragm Pump

Model: DP-80BFT-HD (XDP)

Model #: 854535



To Purchase:

☎ 800-990-7867

✉ sales@yamadapump.com

📍 Find My Rep

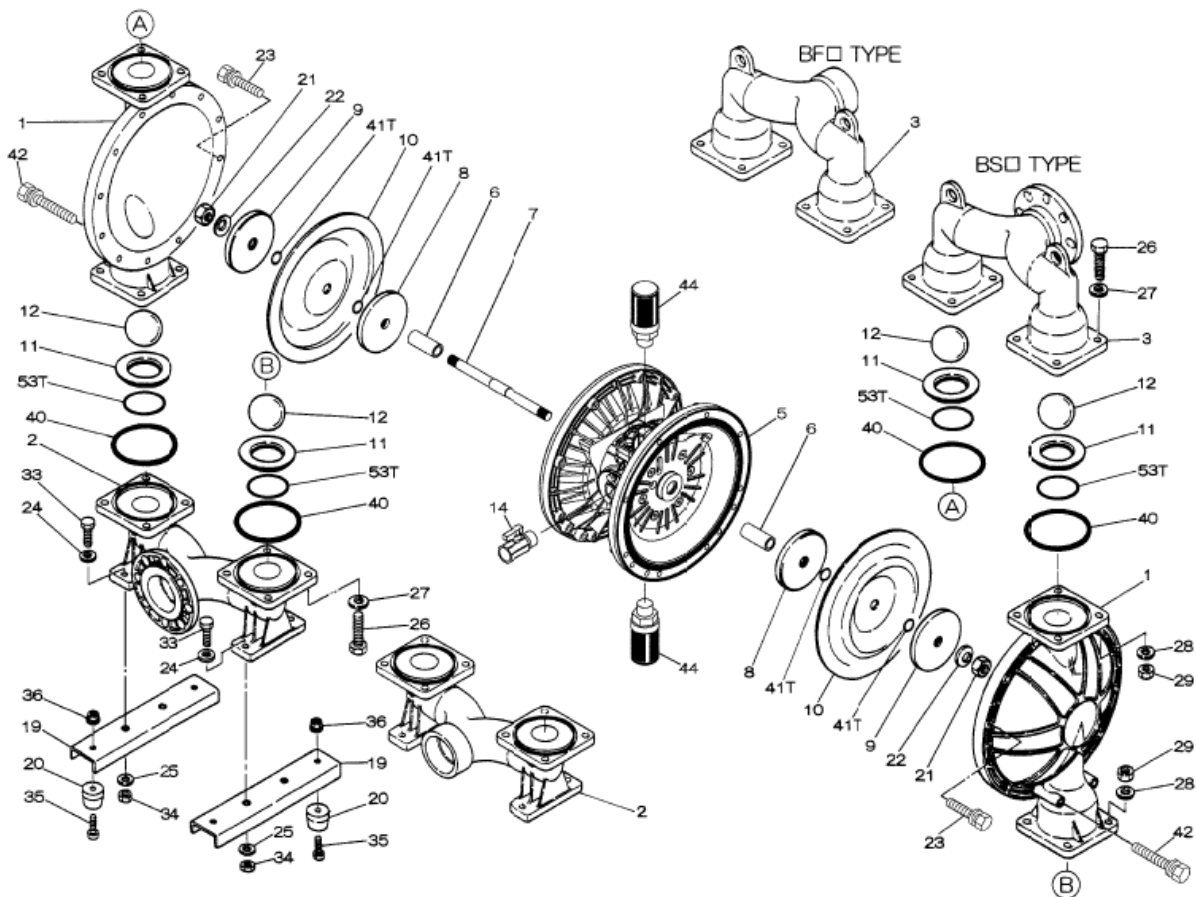
More Information:

▶ YouTube: @yamadapump

🌐 yamadapump.com

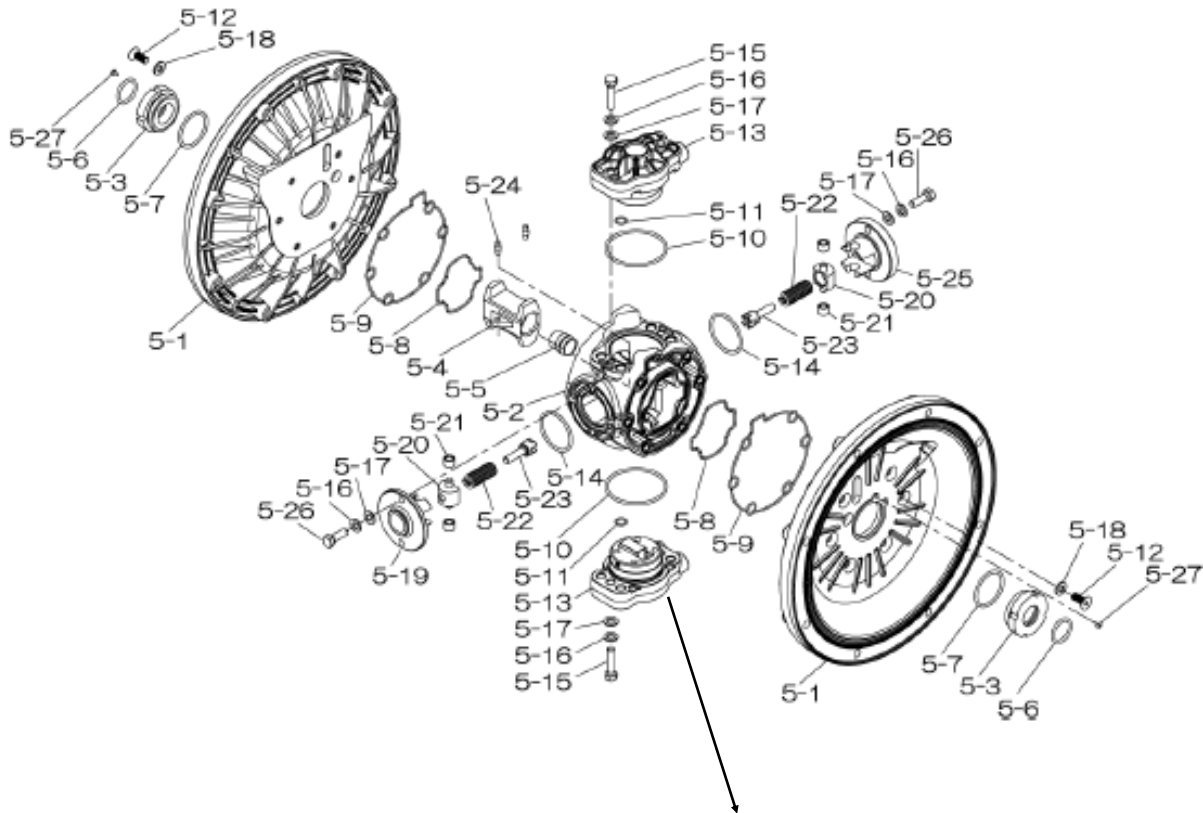
Data Sheets | CAD Drawings | Manuals Literature | BOM | Performance Curves

Trial Program

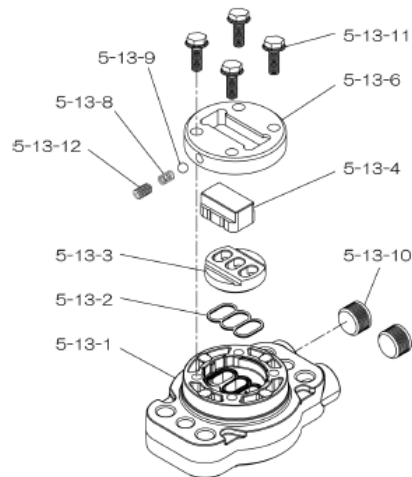


Air Operated Double Diaphragm Pump

804850 Center Body Assembly



804784 Valve Body Assembly

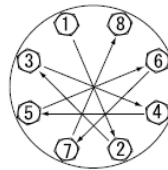


Air Operated Double Diaphragm Pump

REF. No.	PART No.	DESCRIPTION	QTY.	REORDER
1	713158	OUT CHAMBER	2	
2	713170	IN MANIFOLD 80	1	
3	713167	OUT MANIFOLD 80	1	
5	804780	CENTER BODY ASSY DP-80-HD	1	
5- 1	716248	AIR CHAMBER	2	
5- 2	716256	BODY	1	
5- 3	773066	THROAT BEARING	2	
5- 4	716214	SHUTTLE (CS)	1	
5- 5	773047	CENTER ROD GUIDE	1	
5- 6	640023	O RING	2	
5- 7	640133	O RING	2	
5- 8	773040	GASKET	2	
5- 9	773041	GASKET	2	
5-10	640138	O RING	2	
5-11	640007	O RING	8	
5-12	683812	FLAT SOCKET	12	
5-13	804784	VALVE BODY ASSY	2	
5-13- 1	716244	VALVE BODY	1	
5-13- 2	773042	GASKET	2	
5-13- 3	716246	SEAT	1	
5-13- 4	773425	BLOCK	1	
5-13- 6	773426	GUIDE PLATE	1	
5-13- 8	706612	SPRING INK	1	
5-13- 9	686271	BALL	1	
5-13-10	772934	PLUG	2	
5-13-11	602300	TAPPING BOLT	4	
5-13-12	610025	HEX. SOCKET HEAD SCREW	1	
5-14	640134	O RING	2	
5-15	611153	BOLT HEX FT	4	
5-16	631420	SPRING WASHER M8 ZINC	8	
5-17	631013	WASHER FLAT M8 ZINC DI	8	
5-18	684987	WASHER	12	
5-19	716249	RETAINER	1	
5-20	713620	SPRING GUIDE	2	
5-21	773067	BUSH	4	
5-22	684537	SPRING	2	
5-23	714446	TRIP ARM	2	
5-24	700231	PIN	2	
5-25	716216	RETAINER	1	
5-26	611149	BOLT FT ZIN	4	
5-27	686337	TAPPING SCREW	2	
6	716255	CENTER BUSHING DP-80T-HD	2	

REF. No.	PARTS No.	DESCRIPTION	QTY.	REORDER
7	716254	CENTER ROD	1	
8	711041	CENTER DISK 80-T	2	
9	713391	CENTER DISK 80FC-T	2	
10	770934	DIAPHRAGM (PTFE) 80	2	
11	711910	VALVE SEAT	4	
12	770694	BALL 80T	4	
14	684322	BALL VALVE 3/4"	1	
19	711912	BASE 80	2	
20	771402	FOOT RUBBER	4	
21	706144	NUT SS	2	
22	682740	WASHER M16 SS CONICAL	2	
23	686161	BOLT M10 SS	20	
24	631014	WASHER FLAT M10 SS DIN	4	
25	631917	WAVE WASHER	28	
26	611204	BOLT HEX P	16	
27	631015	WASHER FLAT M12 SS DIN	16	
28	631918	WAVE WASHER	16	
29	627014	NUT	16	
33	611177	BOLT HEX FT	4	
34	627013	NUT SS	4	
35	611149	BOLT	4	
36	682276	NUT W/ FLANGE	4	
40	643078	O RING	4	
41	643015	O RING	4	
42	686164	BOLT	4	
44	804697	MUFFLER	2	
53T	643145	O RING	4	
KIT	K80-MT	LIQUID SIDE		
KIT	K80-AM-DP-HD	AIR MOTOR		

Torque Requirements:



Tightening torque for center rod and out chambers.
Center Rod 43 ft-lbf {60 N-m}
Out Chambers 29 ft-lbf {40 N-m}

Tightening torque for manifold retainer bolts.
BFT-HD 18 ft-lbf {25 N-m}

General Tools:

- Socket wrench - 24mm
- Hexagonal box wrench - 5mm, 6mm
- Open-end wrenches - 19mm, 24mm
- Phillips head screw driver

Special Tools:

- Socket (804129) for a guide to remove the throat bearing (sold separately)

Miscellaneous:

- Assembly Oil - Turbine oil none additional class 1 (equivalent to ISO VG32 grade)
- Nuts - M16 x 1.5
- Thread locker
- Urea grease grade (NLGI) No. 2, Shell Alvania Grease S1

Customer Notes

Model #: _____
Description: _____
Serial #: _____
Date Installed: _____
Department Location: _____
Tag/Project: _____