

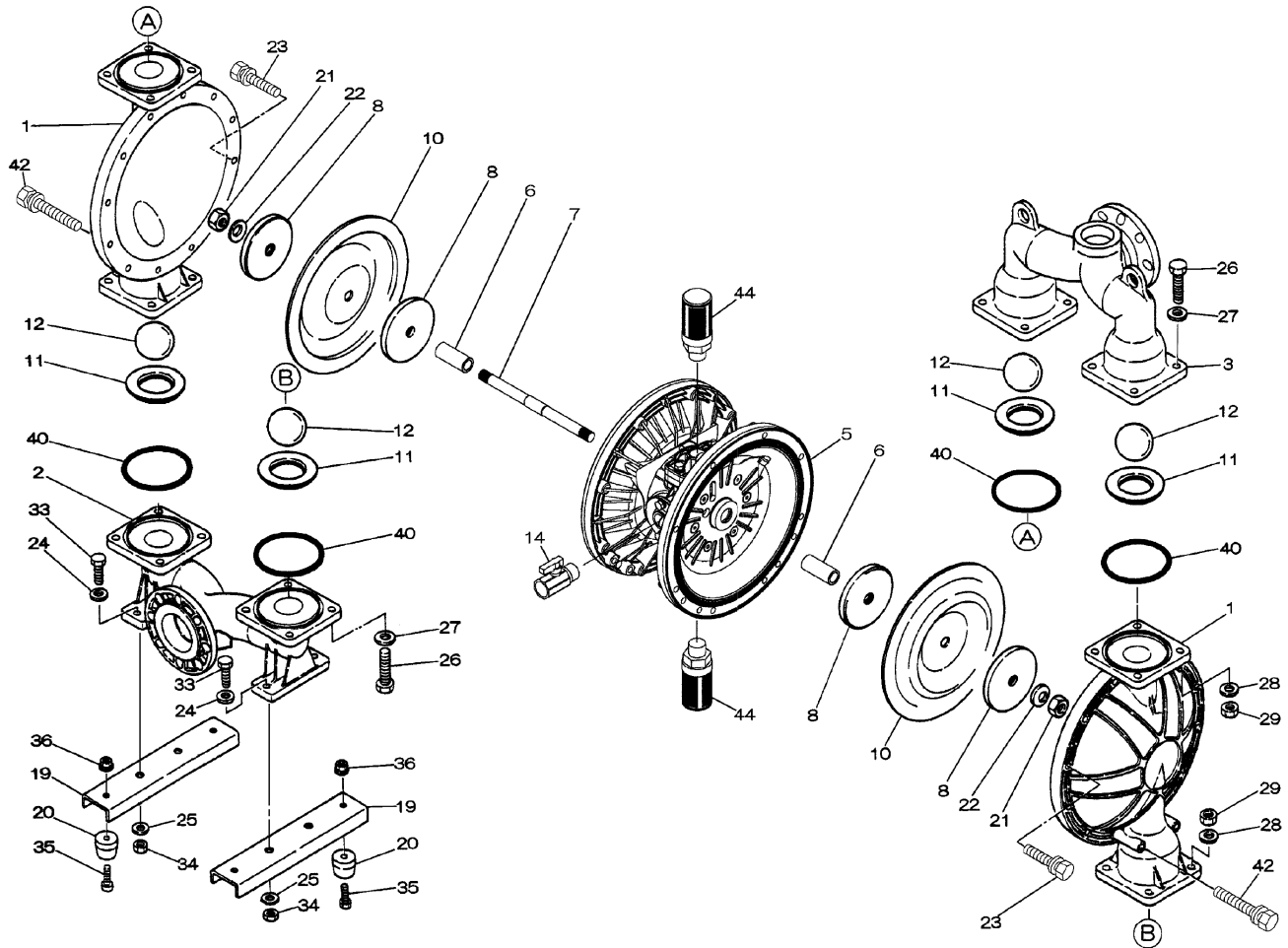
To Purchase:

- ☎ 800-990-7867
- ✉ sales@yamadapump.com
- 📍 Find My Rep

More Information:

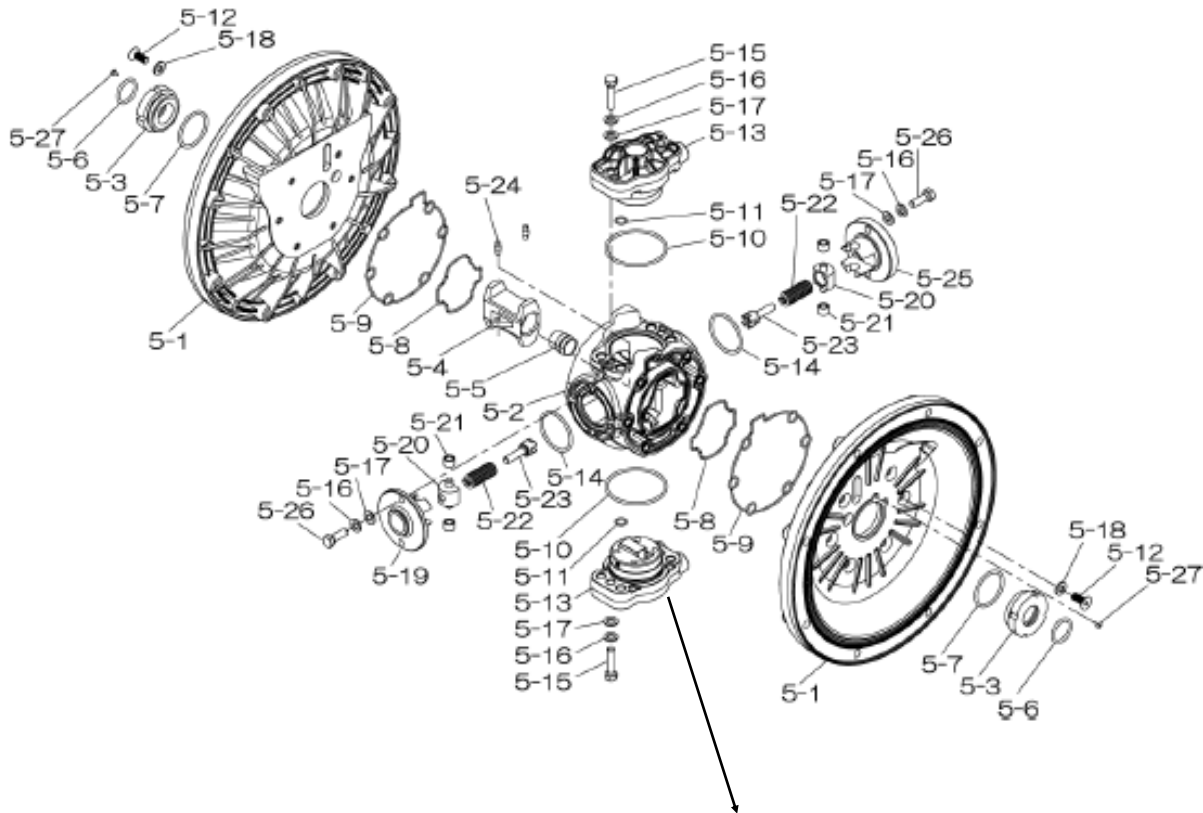
- ▶ YouTube: @yamadapump
- 🌐 yamadapump.com
- Data Sheets | CAD Drawings | Manuals Literature | BOM | Performance Curves*

Trial Program

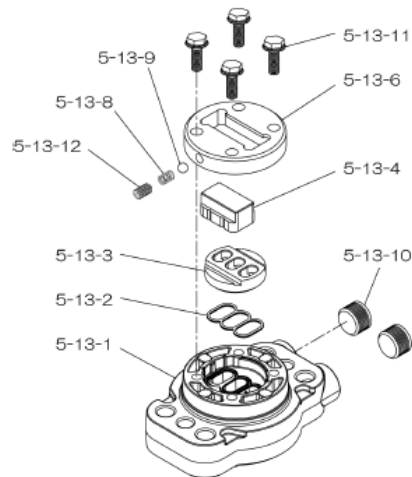


Air Operated Double Diaphragm Pump

804780 Center Body Assembly



804784 Valve Body Assembly



Air Operated Double Diaphragm Pump

| | DP-80BAC-HD | DP-80BAN-HD | DP-80BAS-HD | DP-80BAE-HD | DP-80BAV-HD | DP-80BAH-HD | | | |
|----------|---------------|---------------|---------------|---------------|---------------|---------------|----------------------------------|------|---------|
| REF. No. | PARTS No. | PARTS No. | PARTS No. | PARTS No. | PARTS No. | PARTS No. | DESCRIPTION | QTY. | REORDER |
| 1 | 580962 | 580962 | 580962 | 580962 | 580962 | 580962 | OUT CHAMBER 80AL | 2 | |
| 2 | 714371 | 714371 | 714371 | 714371 | 714371 | 714371 | IN MANIFOLD 80AL NEW | 1 | |
| 3 | 714365 | 714365 | 714365 | 714365 | 714365 | 714365 | OUT MANIFOLD 80AL NEW | 1 | |
| 5 | 804780 | 804780 | 804780 | 804780 | 804780 | 804780 | CENTER BODY ASSY DP-80-HD | 1 | |
| 5- 1 | 716248 | 716248 | 716248 | 716248 | 716248 | 716248 | AIR CHAMBER | 2 | |
| 5- 2 | 716256 | 716256 | 716256 | 716256 | 716256 | 716256 | BODY | 1 | |
| 5- 3 | 773066 | 773066 | 773066 | 773066 | 773066 | 773066 | THROAT BEARING | 2 | |
| 5- 4 | 716214 | 716214 | 716214 | 716214 | 716214 | 716214 | SHUTTLE (CS) | 1 | |
| 5- 5 | 773047 | 773047 | 773047 | 773047 | 773047 | 773047 | CENTER ROD GUIDE | 1 | |
| 5- 6 | 640023 | 640023 | 640023 | 640023 | 640023 | 640023 | O RING 24.6MM X 3.6MM | 2 | |
| 5- 7 | 640133 | 640133 | 640133 | 640133 | 640133 | 640133 | O RING | 2 | |
| 5- 8 | 773040 | 773040 | 773040 | 773040 | 773040 | 773040 | GASKET | 2 | |
| 5- 9 | 773041 | 773041 | 773041 | 773041 | 773041 | 773041 | GASKET | 2 | |
| 5-10 | 640138 | 640138 | 640138 | 640138 | 640138 | 640138 | O RING (64.5X3.0MM) | 2 | |
| 5-11 | 640007 | 640007 | 640007 | 640007 | 640007 | 640007 | O RING 9.5MM X 2.0MM | 8 | |
| 5-12 | 683812 | 683812 | 683812 | 683812 | 683812 | 683812 | M8X1.25X20 FLAT SOCKET | 12 | |
| 5-13 | 804784 | 804784 | 804784 | 804784 | 804784 | 804784 | VALVE BODY ASSY | 2 | |
| 5-13- 1 | 716244 | 716244 | 716244 | 716244 | 716244 | 716244 | VALVE BODY(H40.50.80) | 1 | |
| 5-13- 2 | 773042 | 773042 | 773042 | 773042 | 773042 | 773042 | GASKET | 1 | |
| 5-13- 3 | 716246 | 716246 | 716246 | 716246 | 716246 | 716246 | SEAT (CS) | 1 | |
| 5-13- 4 | 773425 | 773425 | 773425 | 773425 | 773425 | 773425 | BLOCK | 1 | |
| 5-13- 6 | 773426 | 773426 | 773426 | 773426 | 773426 | 773426 | GUIDE PLATE | 1 | |
| 5-13- 8 | 706612 | 706612 | 706612 | 706612 | 706612 | 706612 | SPRING INK | 1 | |
| 5-13- 9 | 686271 | 686271 | 686271 | 686271 | 686271 | 686271 | BALL | 1 | |
| 5-13-10 | 772934 | 772934 | 772934 | 772934 | 772934 | 772934 | PLUG 20/25-PP | 2 | |
| 5-13-11 | 602300 | 602300 | 602300 | 602300 | 602300 | 602300 | TAPPING BOLT M6X1X16 | 4 | |
| 5-13-12 | 610025 | 610025 | 610025 | 610025 | 610025 | 610025 | HEX. SOCKET HEAD SCREW | 1 | |
| 5-14 | 640134 | 640134 | 640134 | 640134 | 640134 | 640134 | O RING 44.5MM X 3MM | 2 | |
| 5-15 | 611153 | 611153 | 611153 | 611153 | 611153 | 611153 | BOLT M8X1.25X35 HEX FT | 4 | |
| 5-16 | 631420 | 631420 | 631420 | 631420 | 631420 | 631420 | SPRING WASHER M8 ZINC | 8 | |
| 5-17 | 631013 | 631013 | 631013 | 631013 | 631013 | 631013 | WASHER FLAT M8 ZINC DI | 8 | |
| 5-18 | 684987 | 684987 | 684987 | 684987 | 684987 | 684987 | WASHER 40/50/80 NEW | 12 | |
| 5-19 | 716249 | 716249 | 716249 | 716249 | 716249 | 716249 | RETAINER | 1 | |
| 5-20 | 713620 | 713620 | 713620 | 713620 | 713620 | 713620 | SPRING GUIDE | 2 | |
| 5-21 | 773067 | 773067 | 773067 | 773067 | 773067 | 773067 | BUSH | 4 | |
| 5-22 | 686303 | 686303 | 686303 | 686303 | 686303 | 686303 | SPRING | 2 | |
| 5-23 | 714446 | 714446 | 714446 | 714446 | 714446 | 714446 | TRIP ARM | 2 | |
| 5-24 | 700231 | 700231 | 700231 | 700231 | 700231 | 700231 | PIN | 2 | |
| 5-25 | 716216 | 716216 | 716216 | 716216 | 716216 | 716216 | RETAINER | 1 | |
| 5-26 | 611149 | 611149 | 611149 | 611149 | 611149 | 611149 | BOLT M8X1.25X25 FT ZIN | 4 | |
| 5-27 | 686337 | 686337 | 686337 | 686337 | 686337 | 686337 | TAPPING SCREW | 2 | |
| 6 | 716253 | 716253 | 716253 | 716253 | 716253 | 716253 | CENTER BUSH | 2 | |
| 7 | 716252 | 716252 | 716252 | 716252 | 716252 | 716252 | CENTER ROD | 1 | |
| 8 | 711906 | 711906 | 711906 | 711906 | 711906 | 711906 | CENTER DISK 80-R | 4 | |
| 10 | 771857 | 771704 | 771977 | 771858 | 771801 | 771705 | DIAPHRAGM 80 | 2 | |
| 11 | 771958 | 771996 | 772005 | 771999 | 771998 | 771795 | VALVE SEAT 80 | 4 | |
| 12 | 770559 | 770587 | 773174 | 770596 | 770605 | 773144 | BALL 80 -90MM | 4 | |
| 14 | 684322 | 684322 | 684322 | 684322 | 684322 | 684322 | BALL VALVE 50/80 3/4" | 1 | |
| 19 | 711912 | 711912 | 711912 | 711912 | 711912 | 711912 | BASE 80 | 2 | |
| 20 | 771402 | 771402 | 771402 | 771402 | 771402 | 771402 | FOOT RUBBER 40/50/80&2 | 4 | |

Air Operated Double Diaphragm Pump

| | | | | | | | | | |
|-----|--------------|--------|--------|--------|--------|--------|------------------------|----|--|
| 21 | 683408 | 683408 | 683408 | 683408 | 683408 | 683408 | M16X1.50 NYLON NUT SS | 2 | |
| 22 | 682740 | 682740 | 682740 | 682740 | 682740 | 682740 | WASHER M16 SS CONICAL | 2 | |
| 23 | 686163 | 686163 | 686163 | 686163 | 686163 | 686163 | BOLT | 20 | |
| 24 | 631014 | 631014 | 631014 | 631014 | 631014 | 631014 | WASHER FLAT M10 ZINC | 4 | |
| 25 | 631917 | 631917 | 631917 | 631917 | 631917 | 631917 | WAVE WASHER M10 | 28 | |
| 26 | 611204 | 611204 | 611204 | 611204 | 611204 | 611204 | BOLT M12X1.75X55 ZINC | 16 | |
| 27 | 631015 | 631015 | 631015 | 631015 | 631015 | 631015 | WASHER FLAT M12 ZINC D | 16 | |
| 28 | 631918 | 631918 | 631918 | 631918 | 631918 | 631918 | WAVE WASHER | 16 | |
| 29 | 627014 | 627014 | 627014 | 627014 | 627014 | 627014 | NUT M12X1.75 CT ZINC | 16 | |
| 33 | 611177 | 611177 | 611177 | 611177 | 611177 | 611177 | BOLT M10X1.5X35 ZINC F | 4 | |
| 34 | 627013 | 627013 | 627013 | 627013 | 627013 | 627013 | NUT M10 X 1.5 ZINC DIN | 4 | |
| 35 | 611149 | 611149 | 611149 | 611149 | 611149 | 611149 | BOLT M8X1.25X25 FT ZIN | 4 | |
| 36 | 682276 | 682276 | 682276 | 682276 | 682276 | 682276 | NUT W/ FLANGE M8 X 1.2 | 4 | |
| 40 | 640078 | 640078 | 684124 | 684124 | 642078 | 640078 | O RING 139.3MM X 5.7MM | 4 | |
| 42 | 686164 | 686164 | 686164 | 686164 | 686164 | 686164 | BOLT M10X1.5X130 | 4 | |
| 44 | 804697 | 804697 | 804697 | 804697 | 804697 | 804697 | MUFFLER 20/25PP NEW | 2 | |
| KIT | K80-MC | K80-MN | K80-MS | K80-ME | K80-MV | K80-MH | LIQUID SIDE KIT | | |
| KIT | K80-AM-DP-HD | | | | | | AIR MOTOR KIT | | |

General Tools:

- Socket wrench - 24mm
- Hexagonal box wrench - 5mm, 6mm
- Small crowbars - 2 (B_C, B_N, B_E, B_V)
- Open-end wrenches - 19mm, 24mm
- Phillips head screw driver

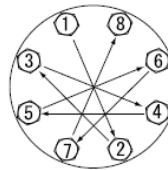
Special Tools:

- Socket (804129) for a guide to remove the throat bearing (sold separately)

Miscellaneous:

- Assembly Oil - Turbine oil none additional class 1 (equivalent to ISA VGA32 grade)
- Nuts - M16 x 1.5
- Thread locker
- Urea grease grade (NLGI) No. 2, Shell Alvania Grease S1

Torque Requirements:



Tightening torque for center rod and out chambers.

Center Rod 43 ft-lbf {60 N-m}
Out Chambers 29 ft-lbf {40 N-m}

Tightening torque for manifold retainer bolts.

BA_ 18 ft-lbf {25 N-m}

Customer Notes

Model #: _____
 Description: _____
 Serial #: _____
 Date Installed: _____
 Department Location: _____
 Tag/Project: _____