

# EXPLODED VIEW & PARTS LISTING

## Air Operated Double Diaphragm Pump

Model: DP-50BST-HD (XDP)

Part#: 854438 (NPT)

Part# 854431 (FLANGE)



### To Purchase:

☎ 800-990-7867

✉ sales@yamadapump.com

📍 Find My Rep

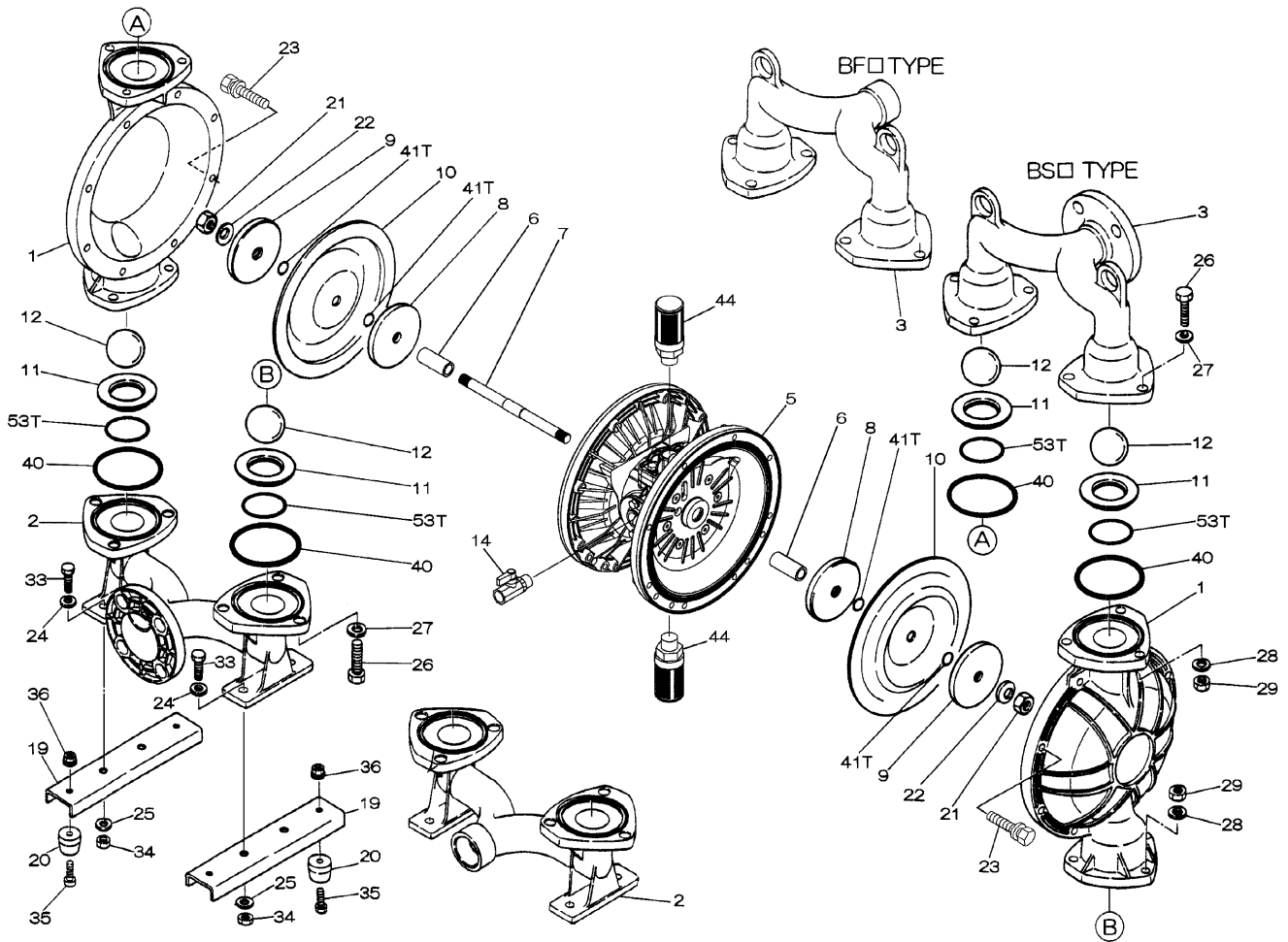
### More Information:

▶ YouTube: @yamadapump

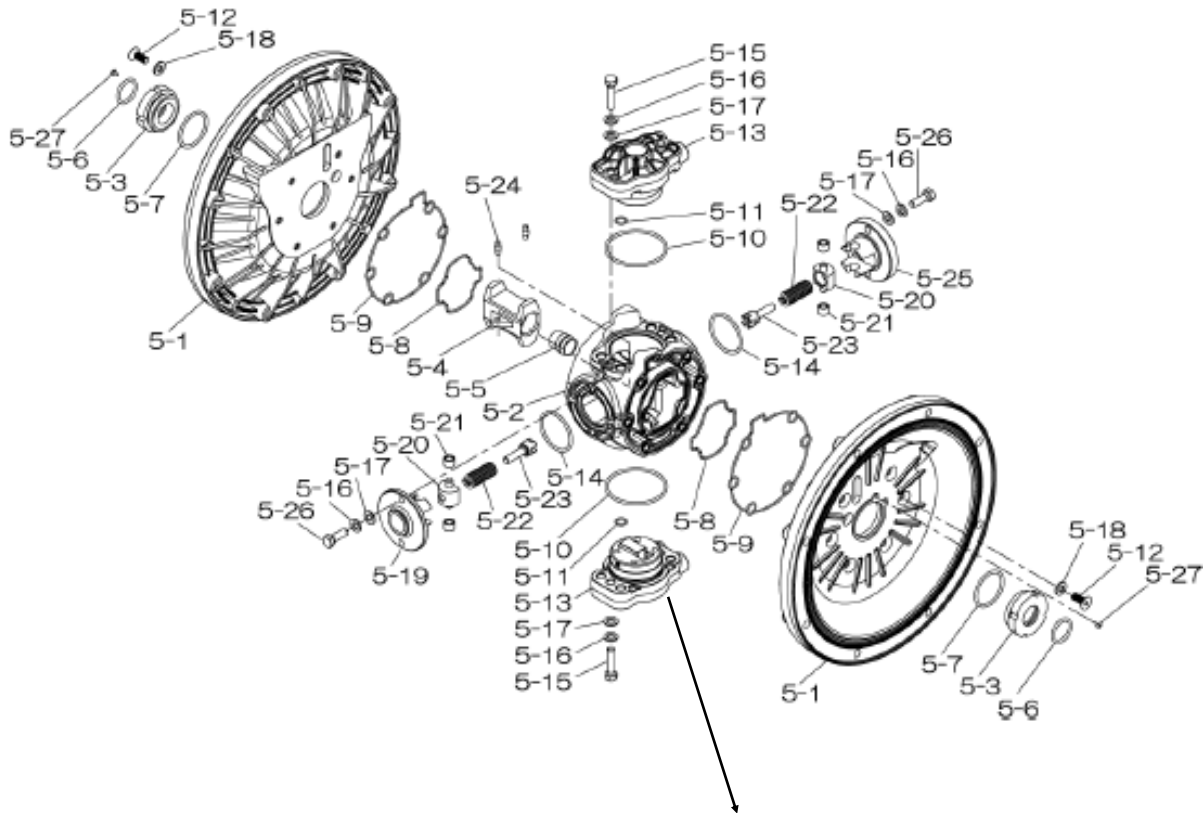
🌐 yamadapump.com

Data Sheets | CAD Drawings | Manuals Literature | BOM | Performance Curves

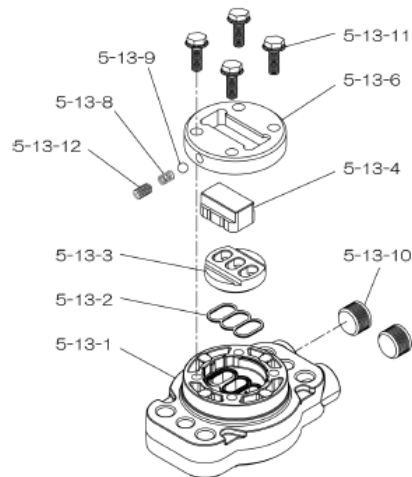
### Trial Program



**804853 Center Body Assembly**



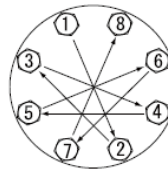
**804784 Valve Body Assembly**



REF. NO.	PARTS NO.	DESCRIPTION	QTY.	REORDER
1	712932	OUT CHAMBER	2	
2	712559	IN MANIFOLD	1	
2	712557	IN MANIFOLD	1	
3	712558	OUT MANIFOLD	1	
3	712556	OUT MANIFOLD	1	
5	804853	CENTER BODY ASSY	1	
5-1	716247	AIR CHAMBER	2	
5-2	716256	BODY	1	
5-3	773095	THROAT BEARING	2	
5-4	716214	SHUTTLE	1	
5-5	773047	CENTER ROD GUIDE	1	
5-6	640023	O RING	2	
5-7	640133	O RING	2	
5-8	773040	GASKET	2	
5-9	773041	GASKET	2	
5-10	640138	O RING	2	
5-11	640007	O RING	8	
5-12	683812	FLAT SOCKET	12	
5-13	804784	VALVE BODY ASSY	2	
5-13-1	715244	VALVE BODY	1	
5-13-2	773042	GASKET	2	
5-13-3	716246	SEAT	1	
5-13-4	773425	BLOCK	1	
5-13-6	773426	GUIDE PLATE	1	
5-13-8	706612	SPRING INK	1	
5-13-9	686271	BALL	1	
5-13-10	772934	PLUG	2	
5-13-11	602300	TAPPING BOLT	4	
5-13-12	610025	HEX. SOCKET HEAD SCREW	1	
5-14	640134	O RING	2	
5-15	611153	BOLT	4	
5-16	631420	SPRING WASHER	8	
5-17	631013	WASHER FLAT	8	
5-18	684987	WASHER	12	
5-19	716249	RETAINER	1	
5-20	613620	SPRING GUIDE	2	
5-21	773067	BUSH	4	
5-22	684537	SPRING	2	
5-23	714446	TRIP ARM	2	
5-24	770231	PIN	2	
5-25	716216	RETAINER	1	
5-26	611149	BOLT	4	
5-27	686337	TAPPING SCREW	2	

REF. NO.	PARTS NO.	DESCRIPTION	QTY.	REORDER
6	716399	CENTER BUSH	2	
7	716404	CENTER ROD	1	
8T	707822	CENTER DISK	2	
9	707823	CENTER DISK	2	
10	770815	DIAPHRAGM	2	
11	711909	VALVE SEAT	4	
12	770693	BALL	4	
14	686974	BALL VALVE	1	
19	711928	BASE	2	
20	771402	FOOT RUBBER	4	
21	706128	NUT	2	
22	682740	WASHER	2	
23	621180	BOLT	16	
24	631174	WASHER FLAT	4	
25	631937	WAVE WASHER	20	
26	621202	BOLT	12	
27	631175	WASHER FLAT	12	
28	631938	WAVE WASHER	12	
29	628014	NUT	12	
33	621175	BOLT	4	
34	628013	NUT	4	
35	611149	BOLT	4	
36	682276	NUT W/FLANGE	4	
40	643069	O RING	4	
41T	643015	O RING	4	
44	804697	MUFFLER	2	
53T	643139	O RING	4	
KIT	K50-MT	LIQUID SIDE KIT		
KIT	K45-AM-DP-HD	AIR MOTOR KIT		

Torque Requirements:



Tightening torque for center rod and out chambers.

Center Rod 43 ft-lbf {60 N-m}  
Out Chambers 29 ft-lbf {40 N-m}

Tightening torque for manifold retainer bolts.

BST 18 ft-lbf {25 N-m}

General Tools:

- Socket wrench - 24mm
- Hexagonal box wrench - 5mm, 6mm
- Open-end wrenches - 19mm, 24mm
- Phillips head screw driver

Special Tools:

- Socket (804129) for a guide to remove the throat bearing (sold separately)

Miscellaneous:

- Assembly Oil - Turbine oil class 1 - no additives(equivalent to ISO VG32 grade)
- Nuts - M16 x 1.5
- Thread locker
- Urea grease grade (NLGI) No. 2, Shell Alvania Grease S1

Customer Notes

Model #: \_\_\_\_\_  
 Description: \_\_\_\_\_  
 Serial #: \_\_\_\_\_  
 Date Installed: \_\_\_\_\_  
 Department Location: \_\_\_\_\_  
 Tag/Project: \_\_\_\_\_