

Pulsation Dampener



To Purchase:

- 800-990-7867
- sales@yamadapump.com
- Find My Rep

More Information:

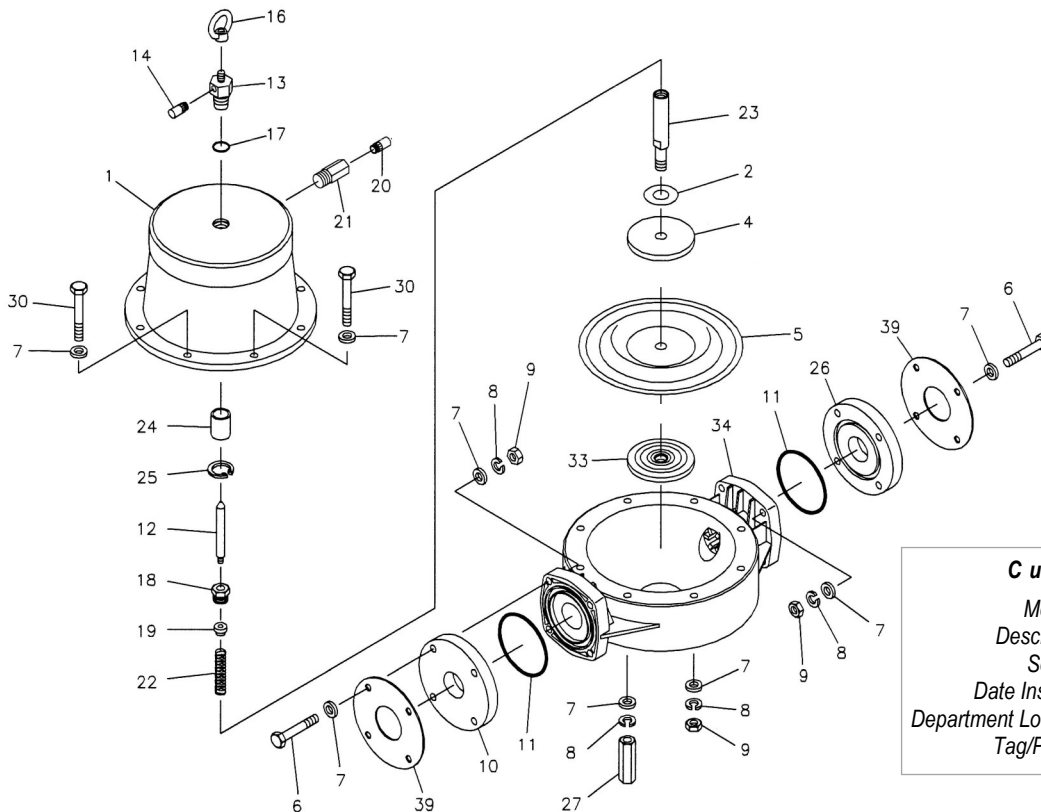
- YouTube: @yamadapump
- yamadapump.com
- Data Sheets | CAD Drawings | Manuals Literature | BOM | Performance Curves

Trial Program



REF. NO.	PART NO.	DESCRIPTION	QTY.	REORDER
1	713306	AIR CHAMBER	1	
2	771316	CUSHION	1	
4	711902	CENTER DISK	1	
5	771799	DIAPHRAGM	1	
6	686162	BOLT	8	
7	631330	PLAIN WASHER	32	
8	680257	SPRING WASHER	16	
9	628013	NUT	12	
10	772219	FLANGE OUT	1	
11	642064	O RING	2	
12	795080	VALVE	1	
13	716407	VALVE SEAT	1	
14	802569	MUFFLER	1	
16	630241	EYE NUT	1	
17	640017	O RING	1	

REF. NO.	PART NO.	DESCRIPTION	QTY.	REORDER
18	710717	NUT	1	
19	710719	NUT	1	
20	681170	MUFFLER	1	
21	714085	UNION	1	
22	710727	SPRING	1	
23	713442	CENTER ROD	1	
24	773092	THROAT BEARING	1	
25	630807	RETAINING RING	1	
26	772218	FLANGE IN	1	
27	713296	STUD	4	
30	683542	BOLT	8	
33	771725	CENTER DISK	1	
34	780147	OUT CHAMBER	1	
39	714124	REINFORCEMENT PLATE	2	



Customer Notes

Model #: _____

Description: _____

Serial #: _____

Date Installed: _____

Department Location: _____

Tag/Project: _____