

Pulsation Dampener



To Purchase:

- 800-990-7867
- sales@yamadapump.com
- Find My Rep

More Information:

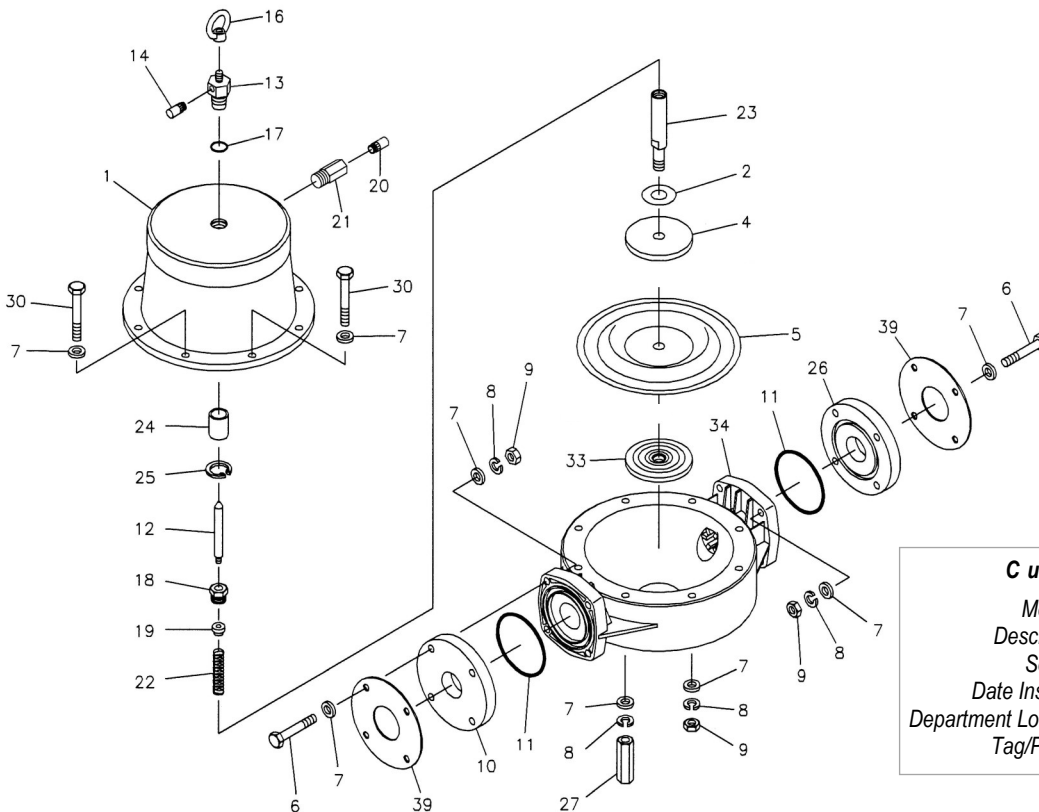
- YouTube: @yamadapump
- yamadapump.com
- Data Sheets | CAD Drawings | Manuals Literature | BOM | Performance Curves

Trial Program



| REF. NO. | PART NO. | DESCRIPTION   | QTY. | REORDER |
|----------|----------|---------------|------|---------|
| 1        | 713306   | AIR CHAMBER   | 1    |         |
| 2        | 771316   | CUSHION       | 1    |         |
| 4        | 711902   | CENTER DISK   | 1    |         |
| 5        | 771700   | DIAPHRAGM     | 1    |         |
| 6        | 686162   | BOLT          | 8    |         |
| 7        | 631330   | PLAIN WASHER  | 32   |         |
| 8        | 680257   | SPRING WASHER | 16   |         |
| 9        | 628013   | NUT           | 12   |         |
| 10       | 772219   | FLANGE OUT    | 1    |         |
| 11       | 640064   | O RING        | 2    |         |
| 12       | 795080   | VALVE         | 1    |         |
| 13       | 716407   | VALVE SEAT    | 1    |         |
| 14       | 802569   | MUFFLER       | 1    |         |
| 16       | 630241   | EYE NUT       | 1    |         |
| 17       | 640017   | O RING        | 1    |         |

| REF. NO. | PART NO. | DESCRIPTION         | QTY. | REORDER |
|----------|----------|---------------------|------|---------|
| 18       | 710717   | NUT                 | 1    |         |
| 19       | 710719   | NUT                 | 1    |         |
| 20       | 681170   | MUFFLER             | 1    |         |
| 21       | 714085   | UNION               | 1    |         |
| 22       | 710727   | SPRING              | 1    |         |
| 23       | 713442   | CENTER ROD          | 1    |         |
| 24       | 773092   | THROAT BEARING      | 1    |         |
| 25       | 630807   | RETAINING RING      | 1    |         |
| 26       | 772218   | FLANGE IN           | 1    |         |
| 27       | 713296   | STUD                | 4    |         |
| 30       | 683542   | BOLT                | 8    |         |
| 33       | 771725   | CENTER DISK         | 1    |         |
| 34       | 780147   | OUT CHAMBER         | 1    |         |
| 39       | 714124   | REINFORCEMENT PLATE | 2    |         |



**Customer Notes**

Model #: \_\_\_\_\_

Description: \_\_\_\_\_

Serial #: \_\_\_\_\_

Date Installed: \_\_\_\_\_

Department Location: \_\_\_\_\_

Tag/Project: \_\_\_\_\_