

Pulsation Dampener



To Purchase:

- 800-990-7867
- sales@yamadapump.com
- Find My Rep

More Information:

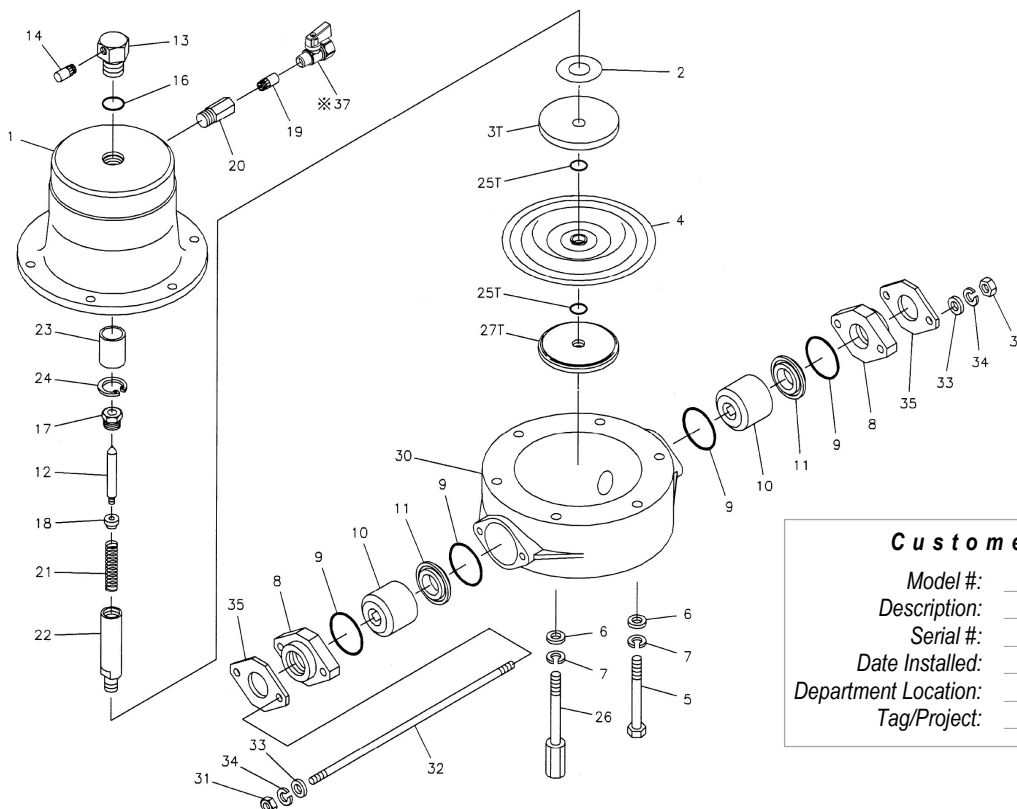
- YouTube: @yamadapump
- yamadapump.com
- Data Sheets | CAD Drawings | Manuals Literature | BOM | Performance Curves

Trial Program



REF. NO.	PART NO.	DESCRIPTION	QTY.	REORDER
1	711251	AIR CHAMBER	1	
2	771316	CUSHION	1	
3T	709331	CENTER DISK	1	
4	771110	DIAPHRAGM	1	
5	621189	BOLT	2	
6	631330	PLAIN WASHER	6	
7	680257	SPRING WASHER	6	
8	772216	FLANGE	2	
9	643042	O RING	4	
10	771231	BALL GUIDE	2	
11	780138	VALVE SEAT	2	
12	795079	VALVE	1	
13	716451	VALVE SEAT	1	
14	802569	MUFFLER	1	
16	640017	O RING	1	
17	710717	NUT	1	

REF. NO.	PART NO.	DESCRIPTION	QTY.	REORDER
18	710719	NUT	1	
19	681170	MUFFLER	1	
20	714085	UNION	1	
21	710720	SPRING	1	
22	710928	CENTER ROD	1	
23	773092	THROAT BEARING	1	
24	630807	RETAINING RING	1	
25T	643013	O RING	2	
26	710930	STUD	4	
27T	780126	CENTER DISK	1	
30	780135	OUT CHAMBER	1	
31	687229	NUT	4	
32	710932	TIE ROD	2	
33	631173	PLAIN WASHER	4	
34	681300	SPRING WASHER	4	
35	710929	FLANGE	2	



Customer Notes

Model #: _____

Description: _____

Serial #: _____

Date Installed: _____

Department Location: _____

Tag/Project: _____