

Pulsation Dampener



To Purchase:

- 800-990-7867
- sales@yamadapump.com
- Find My Rep

More Information:

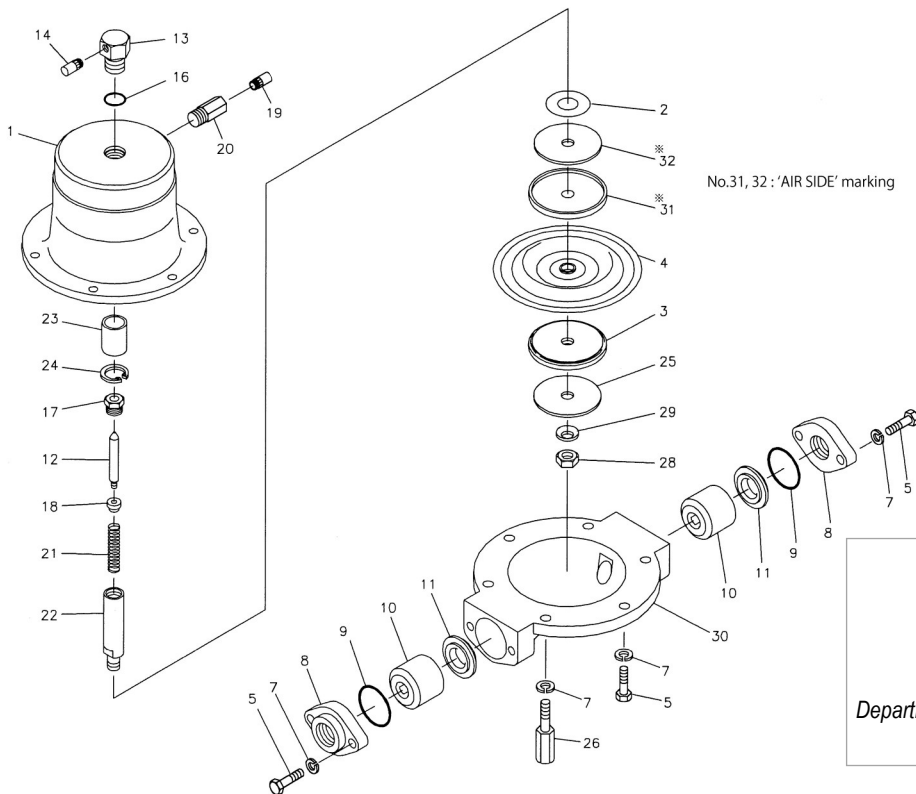
- YouTube: @yamadapump
- yamadapump.com
- Data Sheets | CAD Drawings | Manuals Literature | BOM | Performance Curves

Trial Program



| REF. NO. | PART NO. | DESCRIPTION | QTY. | REORDER |
|----------|----------|-------------|------|---------|
| 1        | 710675   | AIR CHAMBER | 1    |         |
| 2        | 771316   | CUSHION     | 1    |         |
| 3        | 709151   | CENTER DISK | 1    |         |
| 4        | 771260   | DIAPHRAGM   | 1    |         |
| 5        | 611177   | BOLT        | 6    |         |
| 7        | 631917   | WAVE WASHER | 10   |         |
| 8        | 714088   | FLANGE      | 2    |         |
| 9        | 683997   | O RING      | 2    |         |
| 10       | 711702   | BALL GUIDE  | 2    |         |
| 11       | 590087   | VALVE SEAT  | 2    |         |
| 12       | 795079   | VALVE       | 1    |         |
| 13       | 716451   | VALVE SEAT  | 1    |         |
| 14       | 802569   | MUFFLER     | 1    |         |
| 16       | 640017   | O RING      | 1    |         |
| 17       | 710717   | NUT         | 1    |         |

| REF. NO. | PART NO. | DESCRIPTION       | QTY. | REORDER |
|----------|----------|-------------------|------|---------|
| 18       | 710719   | NUT               | 1    |         |
| 19       | 681170   | MUFFLER           | 1    |         |
| 20       | 714085   | UNION             | 1    |         |
| 21       | 710720   | SPRING            | 1    |         |
| 22       | 710718   | CENTER ROD        | 1    |         |
| 23       | 773092   | THROAT BEARING    | 1    |         |
| 24       | 630807   | RETAINING RING    | 1    |         |
| 25       | 709150   | WASHER            | 1    |         |
| 26       | 710735   | STUD              | 4    |         |
| 28       | 682263   | NUT               | 1    |         |
| 29       | 682730   | CONED DISK SPRING | 1    |         |
| 30       | 711687   | OUT CHAMBER       | 1    |         |
| 31       | 716258   | CENTER DISK       | 1    |         |
| 32       | 716259   | WASHER            | 1    |         |



**Customer Notes**

Model #: \_\_\_\_\_

Description: \_\_\_\_\_

Serial #: \_\_\_\_\_

Date Installed: \_\_\_\_\_

Department Location: \_\_\_\_\_

Tag/Project: \_\_\_\_\_