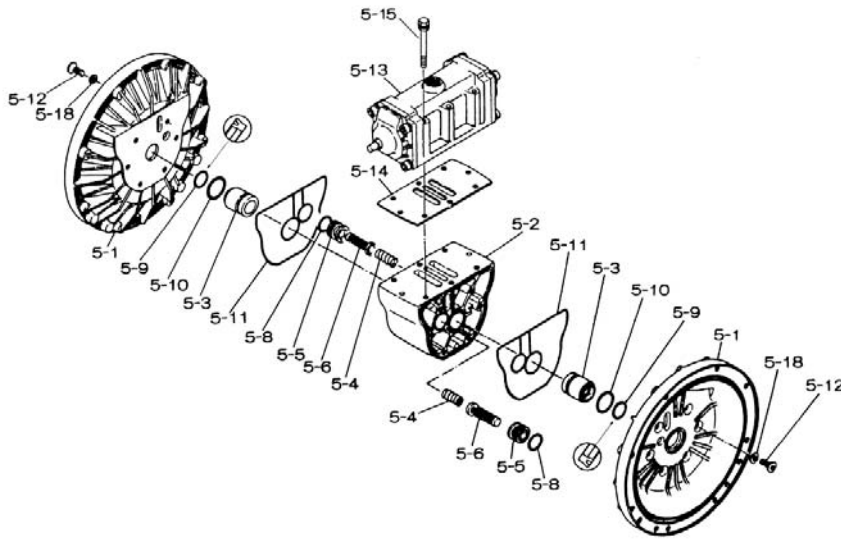


Yamada America, Inc.
955 East Algonquin Rd
Arlington Heights, IL 60005
Phone: 847.631.9200
www.yamadapump.com

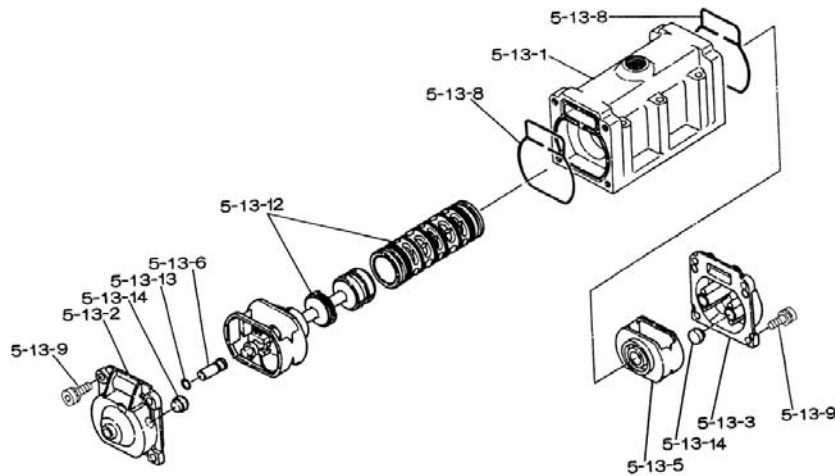
Model: NDP-80BST-FDA



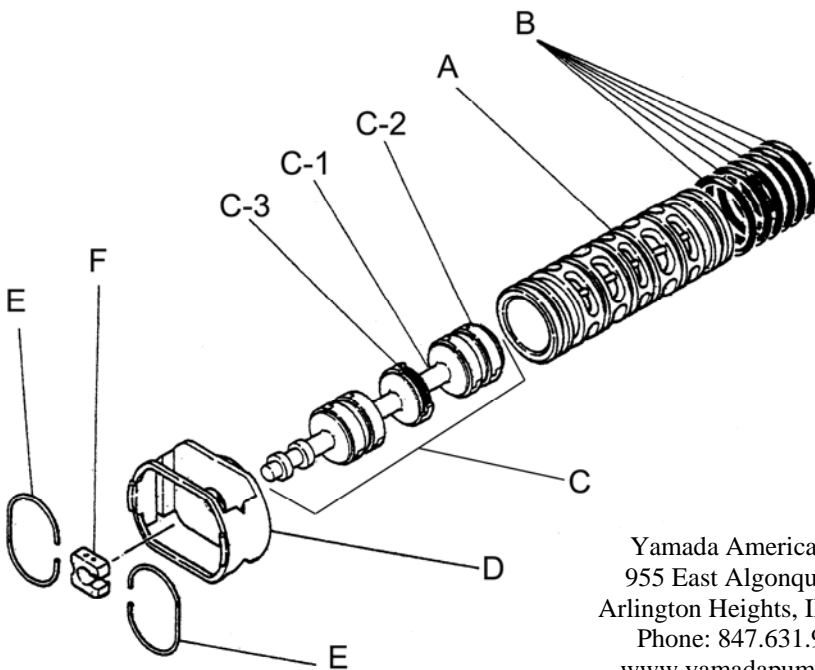
Reference			
No.	Description	Q'ty	NDP-80BST-FDA
1	Out Chamber	2	712933-EP
2	In Manifold	1	712605-TC-EP
3	Out Manifold	1	712604-TC-EP
5	Body Assembly*	1	803113-X
7	Center Rod	1	711940
8	Center Disk	2	711041
9	Center Disk	2	711039-EP
10	Diaphragm	2	770934
11	Valve Seat	4	711910
12	Ball	4	770694
14	Ball Valve	1	684322
15	Elbow	1	682523
19	Pump Base	2	711912-X
20	Cushion	4	771402
23	Bolt	16	621183
24	Plain Washer	24	631174
25	Spring Lock Washer	20	680257
26	Bolt	12	621203
27	Plain Washer	24	631175
28	Spring Lock Washer	12	680607
29	Nut	12	628014
33	Bolt	4	621177
34	Nut	4	628013
35	Bolt	4	611149
36	Nut with Flange	4	682276
40	O-ring	4	643078
41	O-ring	4	643015
42	Bolt	4	683543
53	O-ring	4	643145



803113-X Body Assembly		NDP-80BST-FDA	
5-1	Air Chamber	2	711935-X
5-2	Body	1	711936-X
5-3	Throat Bearing	2	772689
5-4	Spring	2	711937
5-5	Valve Seat	2	771740
5-6	Pilot Valve Assembly	2	832163
5-8	O-ring	2	640020
5-9	Packing	2	685444
5-10	O-ring	2	640029
5-11	Gasket	2	771742
5-12	Flat Head Bolt	12	682486-S
5-13	Valve Body Assembly*	1	802971-X
5-14	Gasket	1	771712
5-15	Bolt	6	684240-S
5-18	Plain Washer	12	684987



802971-X Valve Body Assembly		NDP-80BST-FDA	
5-13-1	Valve Body	1	711931-X
5-13-2	Cap A	1	580999-X
5-13-3	Cap B	1	581000-X
5-13-5	Spring Stopper	1	771735
5-13-6	Reset Button	1	712976-S
5-13-8	Gasket	2	771738
5-13-9	Hexagon Socket Head Bolt	8	685036
5-13-12	C Spool Valve Assembly	1	803115
5-13-13	O-ring	1	640005
5-13-14	Cushion	4	684128



803115 Air Valve Assembly (5-13-12)

Reference			
No.	Description		
A	Sleeve	1	803675
B	O-Ring	6	640037
C	Spool Assembly	1	803114
C-1	Spool	1	771733
C-2	Seal Ring	15	771732
C-3	O-Ring	5	640020
D	Spring Retainer	1	771735
E	C-Spring	2	711932
F	Block	1	771734