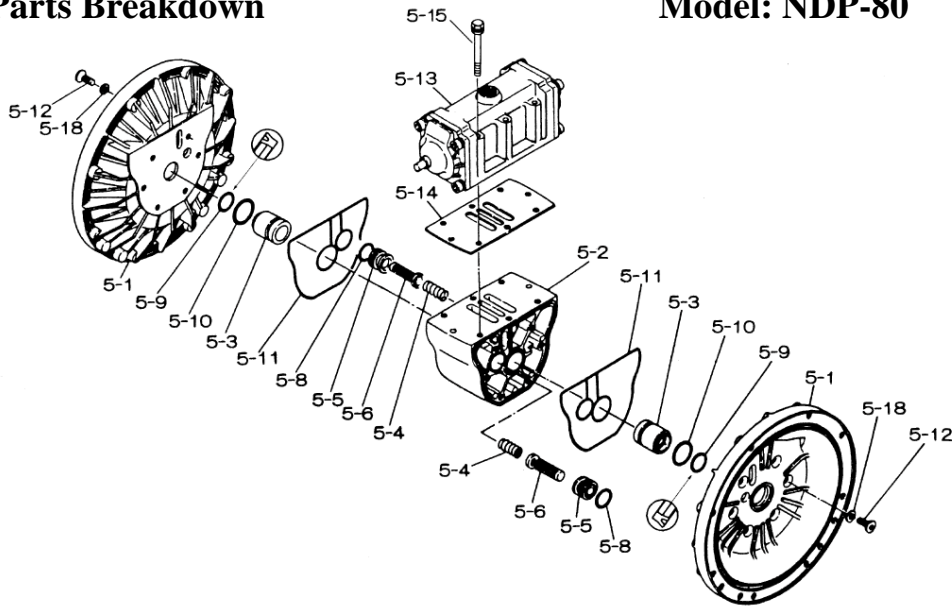


Yamada America, Inc.
955 East Algonquin Rd
Arlington Heights, IL 60005
Phone: 847.631.9200
www.yamadapump.com

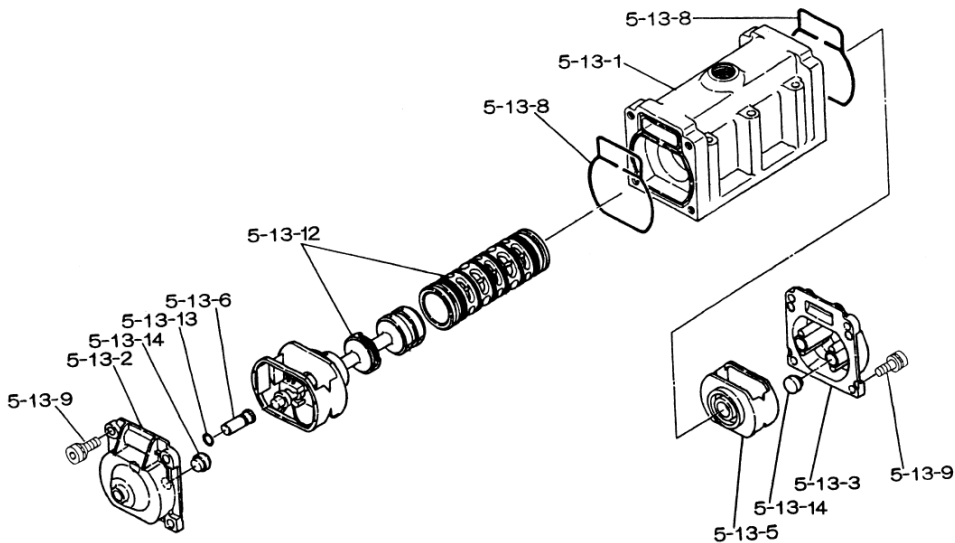
Model: NDP-80BSH



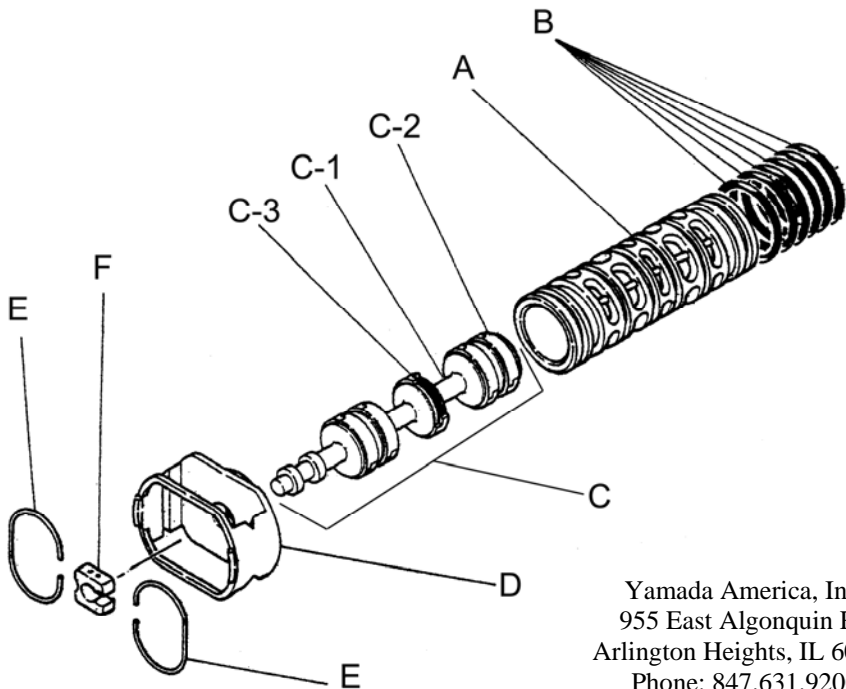
Reference			
No.	Description	Q'ty	NDP-80BSH
1	Out Chamber	2	712933
2	In Manifold - Flange	1	712603
2	In Manifold - NPT	1	712605
3	Out Manifold - Flange	1	712602
3	Out Manifold - NPT	1	712604
5	Body Assembly*	1	803113
7	Center Rod	1	711901
8	Center Disk	2	711906
9	Center Disk	2	711907
10	Diaphragm	2	771705
11	Valve Seat	4	771795
12	Ball	4	770587
14	Ball Valve	1	684322
15	Elbow	1	682523
19	Pump Base	2	711912
20	Cushion	4	771402
21	Nut	2	683408
22	Coned Disk Spring	2	682740
23	Bolt	20	621183
24	Plain Washer	32	631174
25	Spring Lock Washer	28	680257
26	Bolt	16	621203
27	Plain Washer	32	631175
28	Spring Lock Washer	16	680607
29	Nut	16	628014
33	Bolt	4	621177
34	Nut	4	628013
35	Bolt	4	611149
36	Nut with Flange	4	682276
40	O-ring	4	640078
42	Bolt	4	683543



Body Assembly 803113			
Reference	No.	Description	NDP-80BSH
	5-1	Air Chamber	2 711935
	5-2	Body	1 711936
	5-3	Throat Bearing	2 772689
	5-4	Spring	2 711937
	5-5	Valve Seat	2 771740
	5-6	Pilot Valve Assembly	2 832163
	5-8	O-ring	2 640020
	5-9	Packing	2 685444
	5-10	O-ring	2 640029
	5-11	Gasket	2 771742
	5-12	Flat Head Bolt	12 683812
	5-13	Valve Body Assembly *	1 802971
	5-14	Gasket	1 771712
	5-15	Bolt	6 684240
	5-18	Plain Washer	12 684987



802971 Valve Body Assembly			
Reference	No.	Description	NDP-80BSH
	5-13-1	Valve Body	1 711931
	5-13-2	Cap A	1 580999
	5-13-3	Cap B	1 581000
	5-13-5	Spring Stopper	1 771735
	5-13-6	Reset Button	1 712976
	5-13-8	Gasket	2 771738
	5-13-9	Bolt	8 685036
	5-13-12	C Spool Valve Assy.*	1 803115
	5-13-13	O-ring	1 640005
	5-13-14	Cushion	4 684128



803115 Air Valve Assembly (5-13-12)			
Reference	No.	Description	NDP-80BSH
	A	Sleeve	1 803675
	B	O-Ring	6 640037
	C	Spool Assembly	1 803114
	C-1	Spool	1 771733
	C-2	Seal Ring	15 771732
	C-3	O-Ring	5 640020
	D	Spring Retainer	1 771735
	E	C-Spring	2 711932
	F	Block	1 771734

Yamada America, Inc.
 955 East Algonquin Rd
 Arlington Heights, IL 60005
 Phone: 847.631.9200
 www.yamadapump.com

