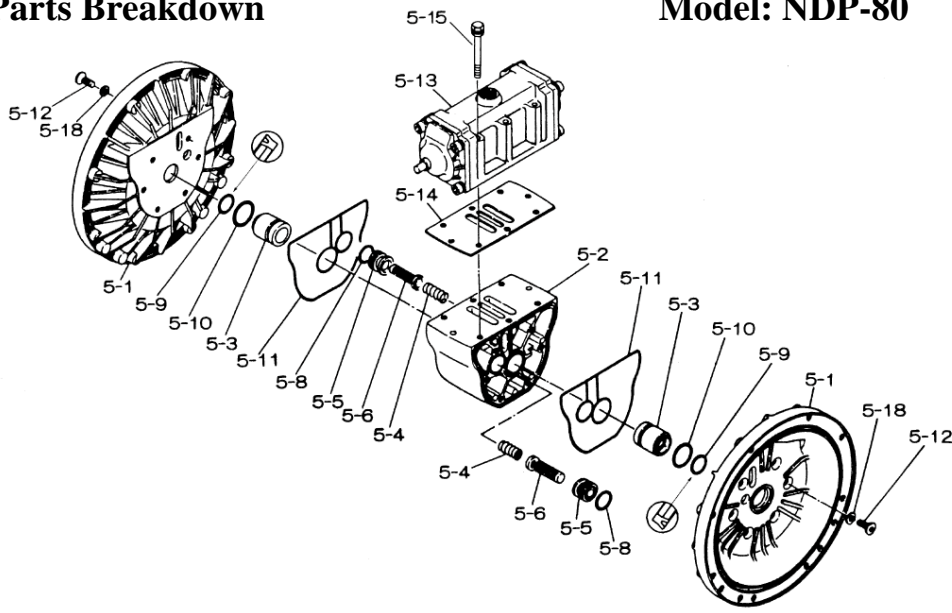


Yamada America, Inc.
955 East Algonquin Rd
Arlington Heights, IL 60005
Phone: 847.631.9200
www.yamadapump.com

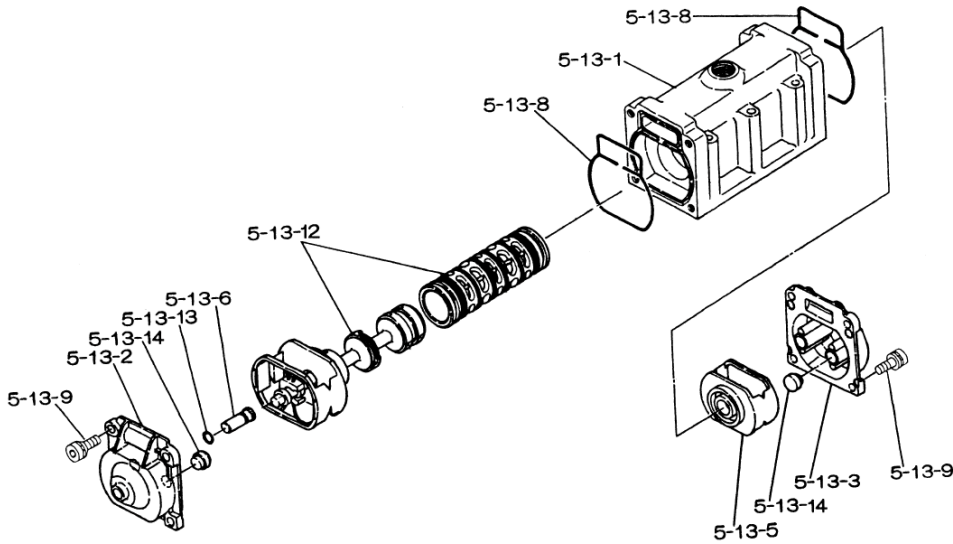
Model: NDP-80BPV



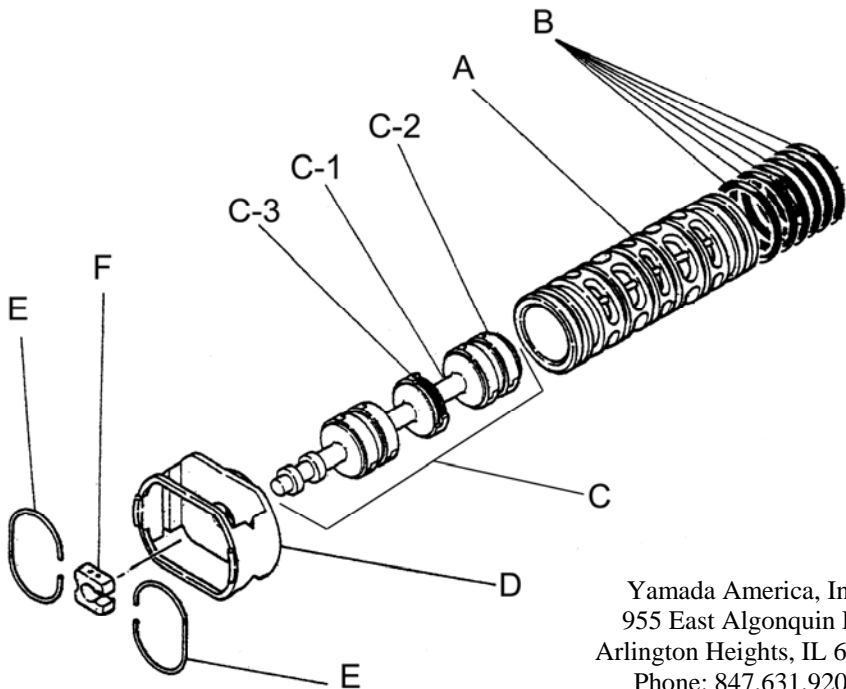
Reference			
No.	Description	Q'ty	NDP-80BPV
1	Out Chamber	2	780149
2	In Manifold	2	772081
3	Out Manifold	2	780152
4	Center Manifold	2	771724
5	Body Assembly*	1	803113
7	Center Rod	1	711901
8	Center Disk	2	711906
9	Center Disk	2	780064
10	Diaphragm	2	771801
11	Valve Seat	4	772098
12	Ball	4	770605
14	Ball Valve	1	684321
15	Elbow	1	682523
16	Bushing	1	684339
19	Stand Body	2	711925
20	Cushion	4	771865
23	Bolt	16	683541
24	Plain Washer	68	631330
25	Spring Lock Washer	44	680257
26	Bolt	16	621213
27	Plain Washer	32	631331
33	Bolt	4	621179
35	Bolt	4	621149
36	Nut with Flange	4	683837
37	Bolt	8	683544
39	O-ring	4	642070
40	O-ring	4	642080
42	Bolt	4	683552
46	Cap	4	683641
47	Protector A	32	771789
48	Protector B	24	771790
53	O-ring	4	642143



Body Assembly 803113				
Reference	No.	Description	Q'ty	NDP-80BPV
	5-1	Air Chamber	2	711935
	5-2	Body	1	711936
	5-3	Throat Bearing	2	772689
	5-4	Spring	2	711937
	5-5	Valve Seat	2	771740
	5-6	Pilot Valve Assembly	2	832163
	5-8	O-ring	2	640020
	5-9	Packing	2	685444
	5-10	O-ring	2	640029
	5-11	Gasket	2	771742
	5-12	Flat Head Bolt	12	683812
	5-13	Valve Body Assembly *	1	802971
	5-14	Gasket	1	771712
	5-15	Bolt	6	684240
	5-18	Plain Washer	12	684987



802971 Valve Body Assembly				
Reference	No.	Description	Q'ty	NDP-80BPV
	5-13-1	Valve Body	1	711931
	5-13-2	Cap A	1	580999
	5-13-3	Cap B	1	581000
	5-13-5	Spring Stopper	1	771735
	5-13-6	Reset Button	1	712976
	5-13-8	Gasket	2	771738
	5-13-9	Bolt	8	685036
	5-13-12	C Spool Valve Assy.	1	803115
	5-13-13	O-ring	1	640005
	5-13-14	Cushion	4	684128



803115 Air Valve Assembly (5-13-12)				
Reference	No.	Description	Q'ty	NDP-80BPV
	A	Sleeve	1	803675
	B	O-Ring	6	640037
	C	Spool Assembly	1	803114
	C-1	Spool	1	771733
	C-2	Seal Ring	15	771732
	C-3	O-Ring	5	640020
	D	Spring Retainer	1	771735
	E	C-Spring	2	711932
	F	Block	1	771734

Yamada America, Inc.
 955 East Algonquin Rd
 Arlington Heights, IL 60005
 Phone: 847.631.9200
 www.yamadapump.com

