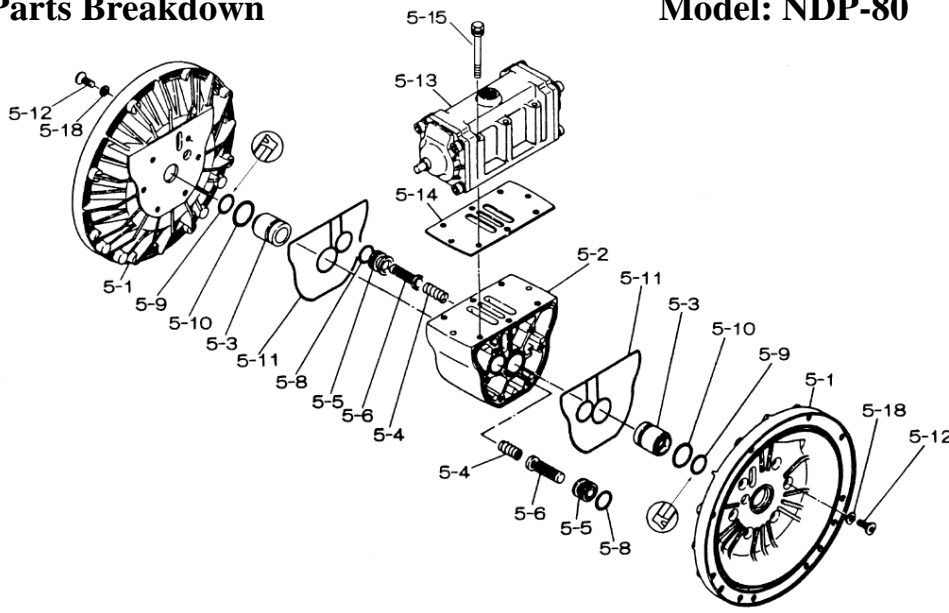


Yamada America, Inc.  
955 East Algonquin Rd  
Arlington Heights, IL 60005  
Phone: 847.631.9200  
www.yamadapump.com

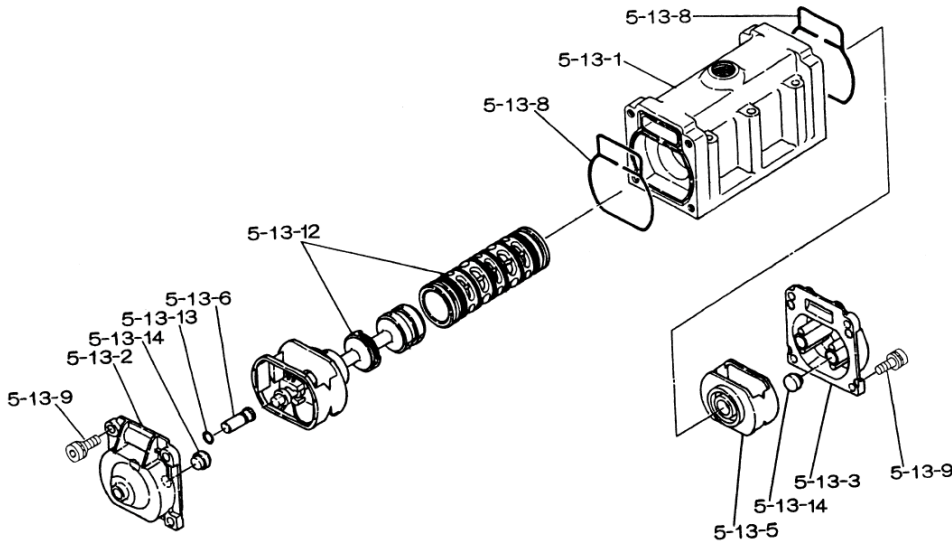
Model: NDP-80BAE



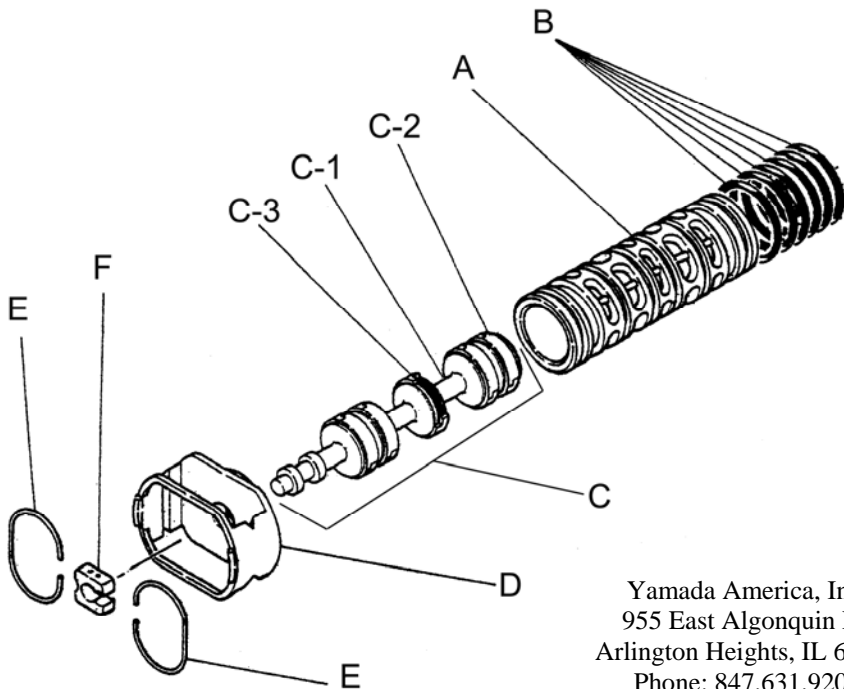
Reference			
No.	Description	Q'ty	NDP-80BAE
1	Out Chamber	2	580962
2	In Manifold	1	714371
3	Out Manifold	1	714365
5	Body Assembly*	1	803113
7	Center Rod	1	711901
8	Center Disk	4	711906
10	Diaphragm	2	771858
11	Valve Seat	4	771999
12	Ball	4	770596
14	Ball Valve	1	684322
15	Elbow	1	682523
19	Pump Base	2	711912
20	Cushion	4	771402
21	Nut	2	683408
22	Coned Disk Spring	2	682740
23	Bolt	16	611186
24	Plain Washer	24	631014
25	Spring Lock Washer	20	631421
26	Bolt	12	611204
27	Plain Washer	24	631015
28	Spring Lock Washer	12	631422
29	Nut	12	627014
33	Bolt	4	611177
34	Nut	4	627013
35	Bolt	4	611149
36	Nut with Flange	4	682276
40	O-ring	4	684124
42	Bolt	4	683546



Body Assembly 803113			
Reference	No.	Description	NDP-80BAE
	5-1	Air Chamber	2 711935
	5-2	Body	1 711936
	5-3	Throat Bearing	2 772689
	5-4	Spring	2 711937
	5-5	Valve Seat	2 771740
	5-6	Pilot Valve Assembly	2 832163
	5-8	O-ring	2 640020
	5-9	Packing	2 685444
	5-10	O-ring	2 640029
	5-11	Gasket	2 771742
	5-12	Flat Head Bolt	12 683812
	5-13	Valve Body Assembly *	1 802971
	5-14	Gasket	1 771712
	5-15	Bolt	6 684240
	5-18	Plain Washer	12 684987



802971 Valve Body Assembly			
Reference	No.	Description	NDP-80BAE
	5-13-1	Valve Body	1 711931
	5-13-2	Cap A	1 580999
	5-13-3	Cap B	1 581000
	5-13-5	Spring Stopper	1 771735
	5-13-6	Reset Button	1 712976
	5-13-8	Gasket	2 771738
	5-13-9	Bolt	8 685036
	5-13-12	C Spool Valve Assy.*	1 803115
	5-13-13	O-ring	1 640005
	5-13-14	Cushion	4 684128



803115 Air Valve Assembly (5-13-12)			
Reference	No.	Description	NDP-80BAE
	A	Sleeve	1 803675
	B	O-Ring	6 640037
	C	Spool Assembly	1 803114
	C-1	Spool	1 771733
	C-2	Seal Ring	15 771732
	C-3	O-Ring	5 640020
	D	Spring Retainer	1 771735
	E	C-Spring	2 711932
	F	Block	1 771734

Yamada America, Inc.  
 955 East Algonquin Rd  
 Arlington Heights, IL 60005  
 Phone: 847.631.9200  
 www.yamadapump.com

