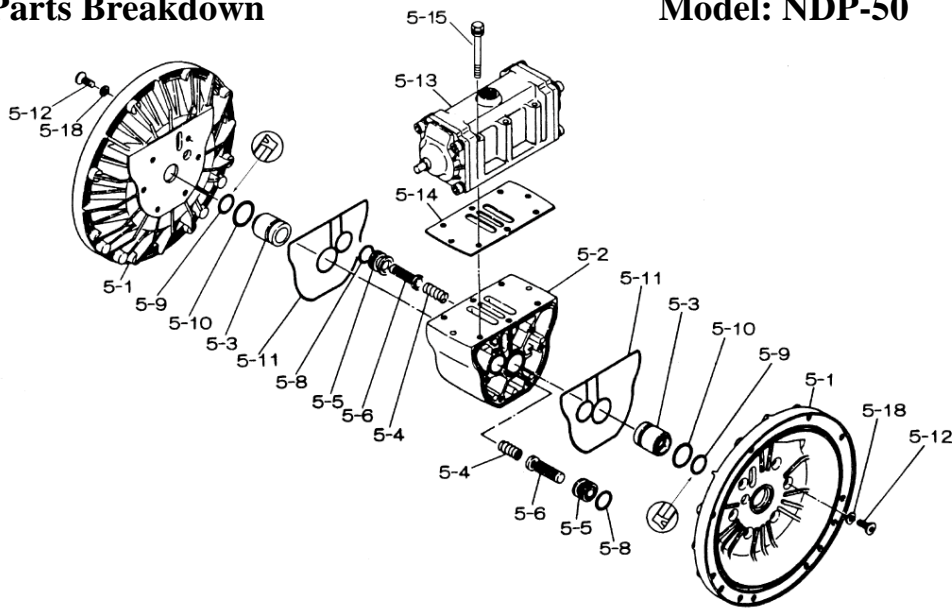


Yamada America, Inc.
955 East Algonquin Rd
Arlington Heights, IL 60005
Phone: 847.631.9200
www.yamadapump.com

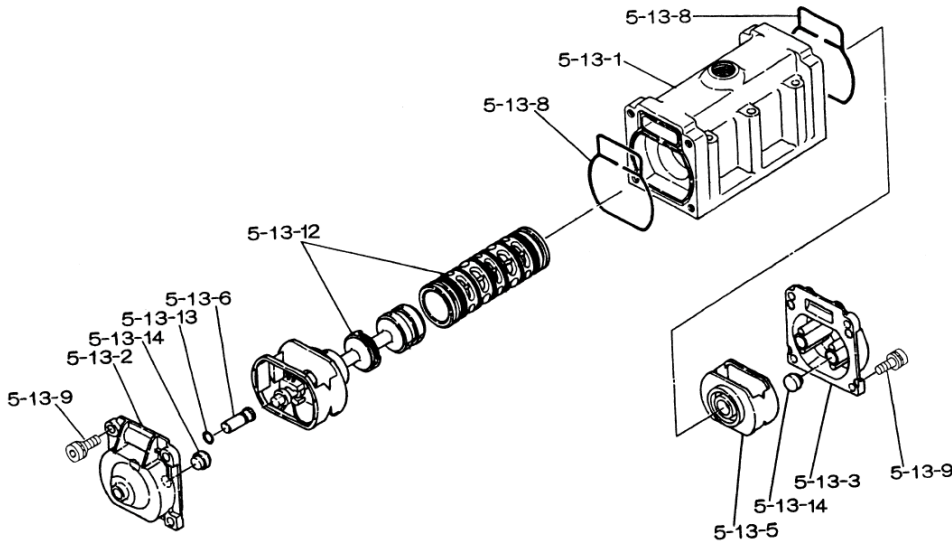
Model: NDP-50BPE



Reference			
No.	Description	Q'ty	NDP-50BPE
1	Out Chamber	2	780148
2	In Manifold	2	772080
3	Out Manifold	2	780151
4	Center Manifold	2	771723
5	Body Assembly*	1	803112
7	Center Rod	1	711900
8	Center Disk	2	711904
9	Center Disk	2	771727
10	Diaphragm	2	771856
11	Valve Seat	4	772097
12	Ball	4	770633
14	Ball Valve	1	684322
15	Elbow	1	682523
19	Stand Body	2	711926
20	Cushion	4	771865
23	Bolt	16	683541
24	Plain Washer	24	631330
25	Spring Lock Washer	24	680257
26	Bolt	12	621213
27	Plain Washer	28	631331
28	Spring Lock Washer	20	680607
29	Nut	20	628014
33	Bolt	8	621179
35	Bolt	4	621149
36	Nut with Flange	4	683837
37	Bolt	8	684592
39	O-ring	4	684121
40	O-ring	4	684122
46	Cap	4	683641
47	Protector A	8	771786
48	Protector B	8	771787
49	Protector C	8	771788
51	Cushion	2	770582
53	O-ring	4	685448

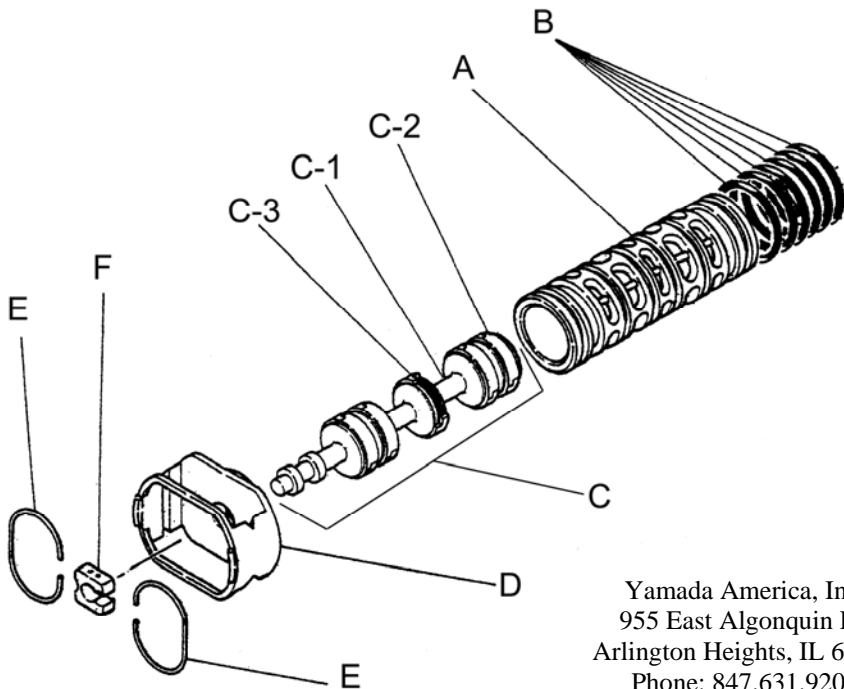


Body Assembly 803112				
Reference	No.	Description	Q'ty	NDP-50
	5-1	Air Chamber	2	711934
	5-2	Body	1	711936
	5-3	Throat Bearing	2	772689
	5-4	Spring	2	711937
	5-5	Valve Seat	2	771740
	5-6	Pilot Valve Assembly	2	832162
	5-8	O-ring	2	640020
	5-9	Packing	2	685444
	5-10	O-ring	2	640029
	5-11	Gasket	2	771742
	5-12	Flat Head Bolt	12	683812
	5-13	Valve Body Assembly *	1	802971
	5-14	Gasket	1	771712
	5-15	Bolt	6	684240
	5-18	Plain Washer	12	684987



802971 Valve Body Assembly

Reference	No.	Description	Q'ty	NDP-50
	5-13-1	Valve Body	1	711931
	5-13-2	Cap A	1	580999
	5-13-3	Cap B	1	581000
	5-13-5	Spring Stopper	1	771735
	5-13-6	Reset Button	1	712976
	5-13-8	Gasket	2	771738
	5-13-9	Bolt	8	685036
	5-13-12	C Spool Valve Assy *	1	803115
	5-13-13	O-ring	1	640005
	5-13-14	Cushion	4	684128



803115 Air Valve Assembly (5-13-12)

Reference	No.	Description	Q'ty	NDP-50
	A	Sleeve	1	803675
	B	O-Ring	6	640037
	C	Spool Assembly	1	803114
	C-1	Spool	1	771733
	C-2	Seal Ring	15	771732
	C-3	O-Ring	5	640020
	D	Spring Retainer	1	771735
	E	C-Spring	2	711932
	F	Block	1	771734

Yamada America, Inc.
 955 East Algonquin Rd
 Arlington Heights, IL 60005
 Phone: 847.631.9200
 www.yamadapump.com

