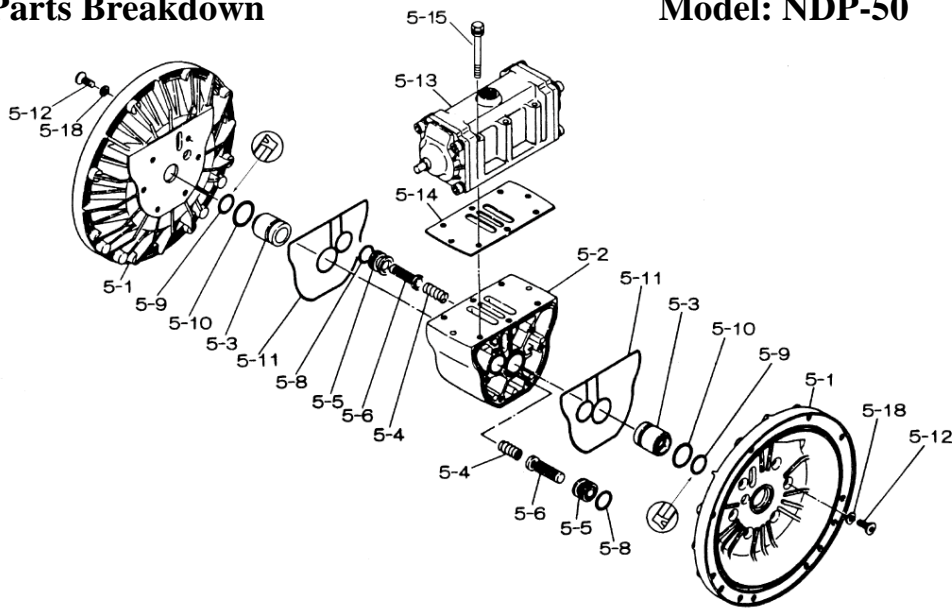


Yamada America, Inc.  
955 East Algonquin Rd  
Arlington Heights, IL 60005  
Phone: 847.631.9200  
www.yamadapump.com

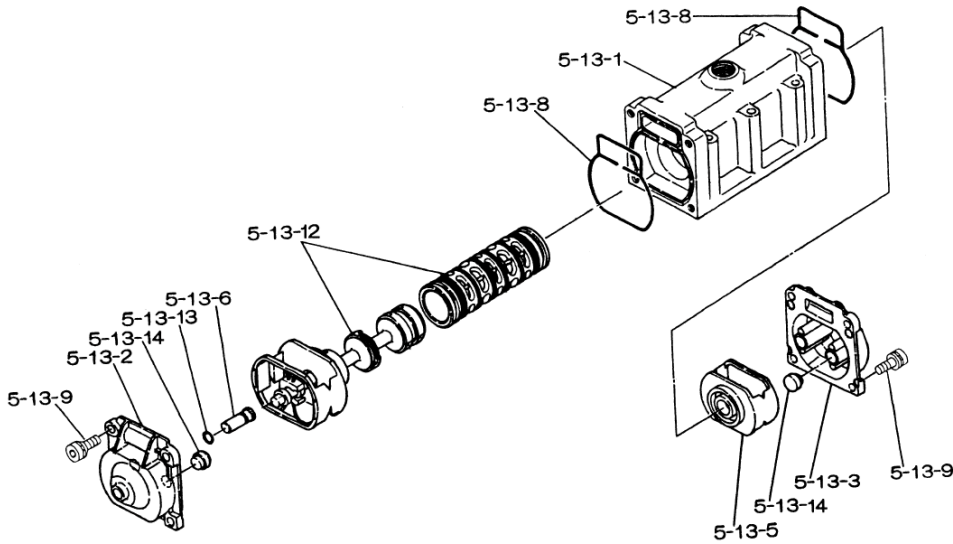
Model: NDP-50BAH



Reference			
No.	Description	Q'ty	NDP-50BAH
1	Out Chamber	2	580961
2	In Manifold	1	714369
3	Out Manifold	1	714363
5	Body Assembly*	1	803112
7	Center Rod	1	711900
8	Center Disk	4	711904
10	Diaphragm	2	771703
11	Valve Seat	4	771794
12	Ball	4	770630
14	Ball Valve	1	684322
15	Elbow	1	682523
19	Pump Base	2	711928
20	Cushion	4	771402
21	Nut	2	683408
22	Coned Disk Spring	2	682740
23	Bolt	16	684203
24	Plain Washer	8	631014
25	Spring Lock Washer	4	631421
26	Bolt	12	611203
27	Plain Washer	24	631015
28	Spring Lock Washer	12	631422
29	Nut	12	627014
33	Bolt	4	611177
34	Nut	4	627013
35	Bolt	4	611149
36	Nut with Flange	4	682276
40	O-ring	4	640069

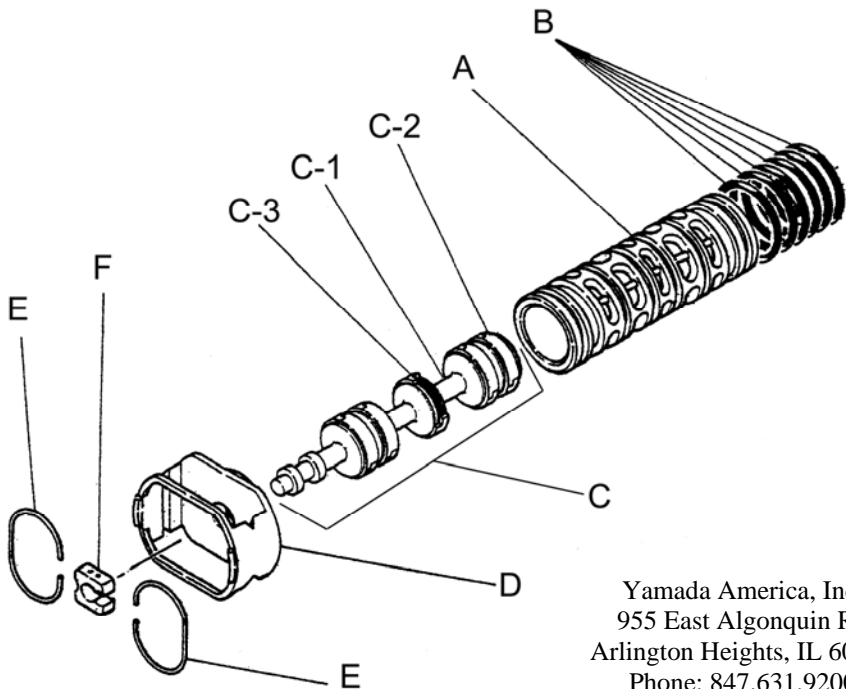


Body Assembly 803112				
Reference	No.	Description	Q'ty	NDP-50
	5-1	Air Chamber	2	711934
	5-2	Body	1	711936
	5-3	Throat Bearing	2	772689
	5-4	Spring	2	711937
	5-5	Valve Seat	2	771740
	5-6	Pilot Valve Assembly	2	832162
	5-8	O-ring	2	640020
	5-9	Packing	2	685444
	5-10	O-ring	2	640029
	5-11	Gasket	2	771742
	5-12	Flat Head Bolt	12	683812
	5-13	Valve Body Assembly *	1	802971
	5-14	Gasket	1	771712
	5-15	Bolt	6	684240
	5-18	Plain Washer	12	684987



802971 Valve Body Assembly

802971 Valve Body Assembly				
Reference	No.	Description	Q'ty	NDP-50
	5-13-1	Valve Body	1	711931
	5-13-2	Cap A	1	580999
	5-13-3	Cap B	1	581000
	5-13-5	Sleeve	1	803675
	5-13-6	Reset Button	1	771735
	5-13-8	Gasket	2	771738
	5-13-9	Bolt	8	685036
	5-13-12	C Spool Valve Assy *	1	803115
	5-13-13	O-ring	1	640005
	5-13-14	Cushion	4	684128



803115 Air Valve Assembly (5-13-12)

803115 Air Valve Assembly (5-13-12)				
Reference	No.	Description	Q'ty	NDP-50
	A	Sleeve	1	803675
	B	O-Ring	6	640037
	C	Spool Assembly	1	803114
	C-1	Spool	1	771733
	C-2	Seal Ring	15	771732
	C-3	O-Ring	5	640020
	D	Spring Retainer	1	771735
	E	C-Spring	2	711932
	F	Block	1	771734

Yamada America, Inc.  
 955 East Algonquin Rd  
 Arlington Heights, IL 60005  
 Phone: 847.631.9200  
 www.yamadapump.com

