

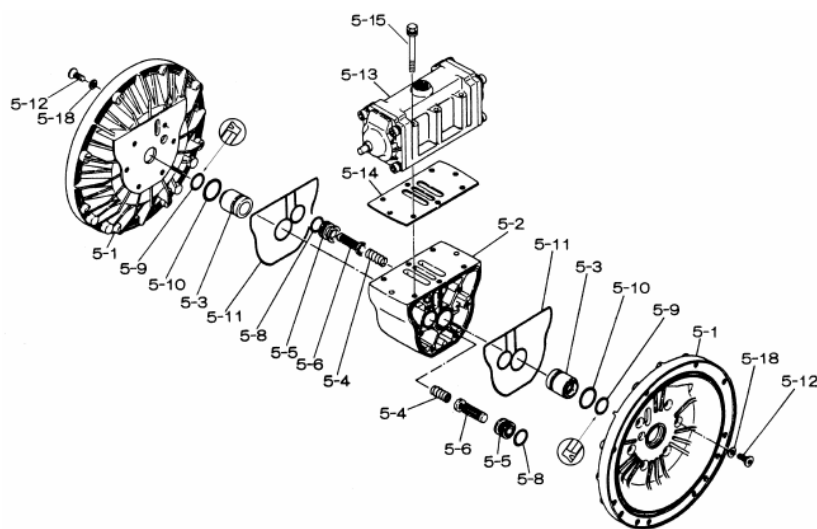
**Model: NDP-40BSS**  
**Part # 852712 - NPT**  
**Part # 852710 - Flange**



Yamada America, Inc.  
 955 East Algonquin Rd  
 Arlington Heights, IL 60005  
 Phone: 847.631.9200  
 Fax: 847.631.9273  
 www.yamadapump.com

| Reference No. | Description           | Q'ty | Part No. |
|---------------|-----------------------|------|----------|
| 1             | Out Chamber           | 2    | 712931   |
| 2             | In Manifold - Flange  | 1    | 712599   |
| 2             | In Manifold - NPT     | 1    | 712601   |
| 3             | Out Manifold - Flange | 1    | 712598   |
| 3             | Out Manifold - NPT    | 1    | 712600   |
| 5             | Body Assembly         | 1    | 803111   |
| 7             | Center Rod            | 1    | 711900   |
| 8             | Center Disk           | 2    | 711902   |
| 9             | Center Disk           | 2    | 711903   |
| 10            | Diaphragm             | 2    | 771975   |
| 11            | Valve Seat            | 4    | 772003   |
| 12            | Ball                  | 4    | 770593   |
| 14            | Ball Valve            | 1    | 684321   |
| 15            | Elbow                 | 1    | 682523   |
| 16            | Bushing               | 1    | 684339   |
| 19            | Pump Base             | 2    | 711911   |
| 20            | Cushion               | 4    | 771402   |
| 21            | Nut                   | 2    | 683408   |
| 22            | Coned Disk Spring     | 2    | 682740   |
| 23            | Bolt                  | 16   | 621180   |
| 23a           | Wave Spring Washer    | 16   | 631937   |
| 24            | Plain Washer          | 4    | 631174   |
| 25            | Wave Spring Washer    | 4    | 631937   |
| 26            | Bolt                  | 12   | 621202   |
| 27            | Plain Washer          | 12   | 631175   |
| 28            | Spring Lock Washer    | 12   | 631938   |
| 29            | Nut                   | 12   | 628014   |
| 33            | Bolt                  | 4    | 621175   |
| 34            | Nut                   | 4    | 628013   |
| 35            | Bolt                  | 4    | 611149   |
| 36            | Nut with Flange       | 4    | 682276   |
| 40            | O-ring                | 4    | 683999   |
| 51            | Cushion               | 2    | 770582   |

| Repair Kits   |                      |    |        |
|---|----------------------|----|--------|
| <b>K40-MS Liquid Side Kit includes the following:</b> |                      |    |        |
| 10  | Diaphragm            | 2  | 771975 |
| 11  | Valve Seat           | 4  | 772003 |
| 40  | O-ring               | 4  | 683999 |
| 12  | Ball                 | 4  | 770593 |
| <b>K45-AM Air Side Kit includes the following:</b>    |                      |    |        |
| 5-3   | Throat Bearing       | 2  | 772689 |
| 5-4   | Spring               | 2  | 711937 |
| 5-5   | Valve Seat           | 2  | 771740 |
| 5-6   | Pilot Valve Assembly | 2  | 832162 |
| 5-8   | O-ring               | 7  | 640020 |
| 5-9   | Packing              | 2  | 685444 |
| 5-10  | O-ring               | 2  | 640029 |
| 5-11  | Gasket               | 2  | 771742 |
| 5-14  | Gasket               | 1  | 771712 |
| 5-13-8  | Gasket               | 2  | 771738 |
| 5-13-12 Seal  | Seal Ring            | 15 | 771732 |
| 5-13-12 Sleeve  | Sleeve Assembly      | 1  | 803675 |



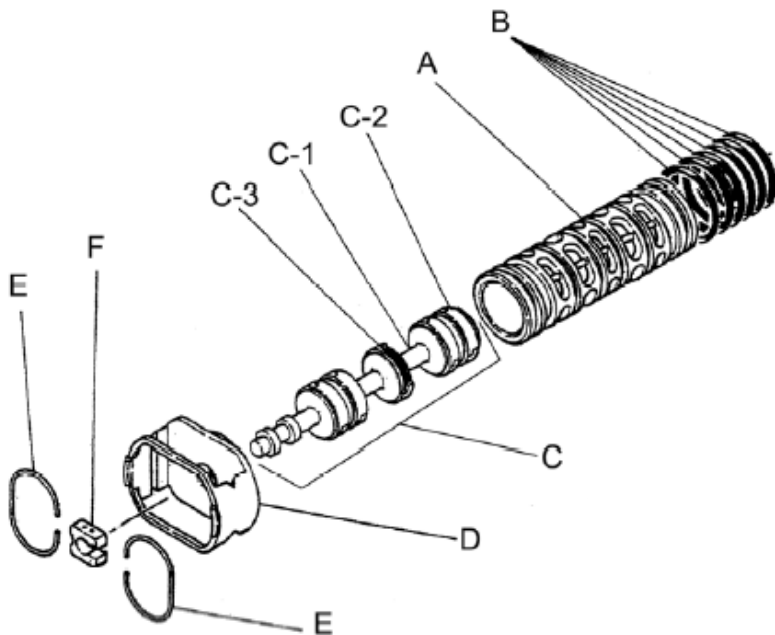
**Body Assembly 803111**

| Reference No. | Description          | Q'ty | Part No. |
|---------------|----------------------|------|----------|
| 5-1           | Air Chamber          | 2    | 711933   |
| 5-2           | Body                 | 1    | 711936   |
| 5-3           | Throat Bearing       | 2    | 772689   |
| 5-4           | Spring               | 2    | 711937   |
| 5-5           | Pilot Valve Seat     | 2    | 771740   |
| 5-6           | Pilot Valve Assembly | 2    | 832162   |
| 5-8           | O-ring               | 2    | 640020   |
| 5-9           | Packing              | 2    | 685444   |
| 5-10          | O-ring               | 2    | 640029   |
| 5-11          | Gasket               | 2    | 771742   |
| 5-12          | Flat Head Bolt       | 12   | 683812   |
| 5-13          | Valve Body Assembly  | 1    | 802971   |
| 5-14          | Gasket               | 1    | 771712   |
| 5-15          | Bolt                 | 6    | 684240   |
| 5-18          | Plain Washer         | 12   | 684987   |

Yamada America, Inc.  
 955 East Algonquin Rd  
 Arlington Heights, IL 60005  
 Phone: 847.631.9200  
 Fax: 847.631.9273  
 www.yamadapump.com



| 802971 Valve Body Assembly |                     |      |          |
|----------------------------|---------------------|------|----------|
| Reference                  |                     |      |          |
| No.                        | Description         | Q'ty | Part No. |
| 5-13-1                     | Valve Body          | 1    | 711931   |
| 5-13-2                     | Cap A               | 1    | 580999   |
| 5-13-3                     | Cap B               | 1    | 581000   |
| 5-13-5                     | Spring Stopper      | 1    | 771735   |
| 5-13-6                     | Reset Button        | 1    | 712976   |
| 5-13-8                     | Gasket              | 2    | 771738   |
| 5-13-9                     | Bolt                | 8    | 685036   |
| 5-13-12                    | C Spool Valve Assy. | 1    | 803115   |
| 5-13-12 Seal               | Seal Ring           | 15   | 771732   |
| 5-13-12 Sleeve             | Sleeve Assembly     | 1    | 803675   |
| 5-13-13                    | O-ring              | 1    | 640005   |
| 5-13-14                    | Cushion             | 4    | 684128   |



| 803115 Air Valve Assembly (5-13-12) |                 |      |          |
|-------------------------------------|-----------------|------|----------|
| Reference                           |                 |      |          |
| No.                                 | Description     | Q'ty | Part No. |
| A                                   | Sleeve          | 1    | 803675   |
| B                                   | O-ring          | 6    | 640037   |
| C                                   | Spool Assembly  | 1    | 803114   |
| C-1                                 | Spool           | 1    | 771733   |
| C-2                                 | Seal Ring       | 15   | 771732   |
| C-3                                 | O-ring          | 5    | 640020   |
| D                                   | Spring Retainer | 1    | 771735   |
| E                                   | C-Spring        | 2    | 711932   |
| F                                   | Block           | 1    | 771734   |

Yamada America, Inc.  
 955 East Algonquin Rd  
 Arlington Heights, IL 60005  
 Phone: 847.631.9200  
 Fax: 847.631.9273  
 www.yamadapump.com