

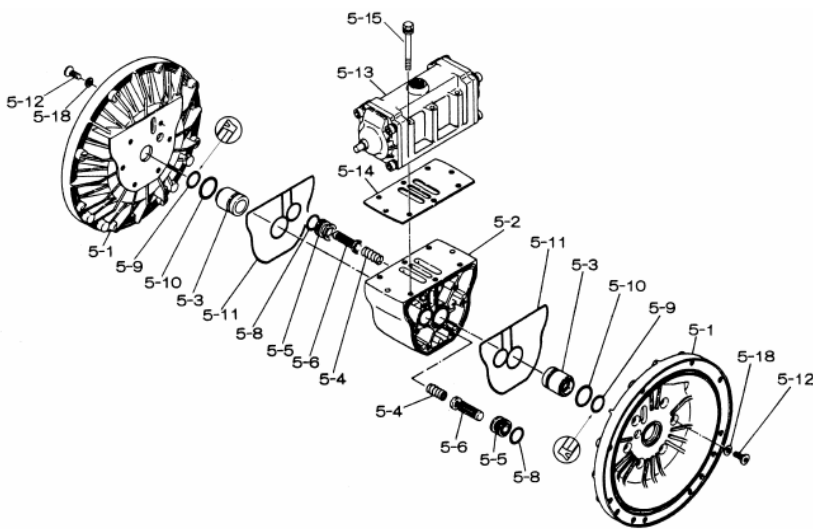
Yamada America, Inc.  
955 East Algonquin Rd  
Arlington Heights, IL 60005  
Phone: 847.631.9200  
Fax: 847.631.9273  
www.yamadapump.com

Model: NDP-40BPC  
Part # 852421



| Reference No. | Description        | Q'ty | Part No. |
|---------------|--------------------|------|----------|
| 1             | Out Chamber        | 2    | 780147   |
| 2             | In Manifold        | 2    | 780244   |
| 3             | Out Manifold       | 2    | 780150   |
| 4             | Center Manifold    | 2    | 780248   |
| 5             | Body Assembly      | 1    | 803111   |
| 7             | Center Rod         | 1    | 711900   |
| 8             | Center Disk        | 2    | 711902   |
| 9             | Center Disk        | 2    | 771725   |
| 10            | Diaphragm          | 2    | 771853   |
| 11            | Valve Seat         | 4    | 772096   |
| 12            | Ball               | 4    | 770550   |
| 14            | Ball Valve         | 1    | 684321   |
| 15            | Elbow              | 1    | 682523   |
| 16            | Bushing            | 1    | 684339   |
| 19            | Stand Body         | 2    | 711925   |
| 20            | Cushion            | 4    | 771865   |
| 23            | Bolt               | 16   | 686156   |
| 24            | Plain Washer       | 68   | 631330   |
| 25            | Spring Lock Washer | 44   | 680257   |
| 26            | Bolt               | 16   | 621183   |
| 33            | Bolt               | 4    | 621179   |
| 34            | Nut                | 24   | 628013   |
| 35            | Bolt               | 4    | 621149   |
| 36            | Nut with Flange    | 4    | 683837   |
| 37            | Bolt               | 8    | 683542   |
| 39            | O-ring             | 4    | 640060   |
| 40            | O-ring             | 4    | 640064   |
| 46            | Cap                | 4    | 683641   |
| 51            | Cushion            | 2    | 770582   |
| 53            | O-ring             | 4    | 640136   |

| Repair Kits   |                      |    |        |
|---|----------------------|----|--------|
| <b>K40-PC Liquid Side Kit includes the following:</b> |                      |    |        |
| 10  | Diaphragm            | 2  | 771853 |
| 12  | Ball                 | 4  | 770550 |
| 53  | O-ring               | 4  | 640136 |
| 40  | O-ring               | 4  | 640064 |
| <b>K45-AM Air Side Kit includes the following:</b>    |                      |    |        |
| 5-3   | Throat Bearing       | 2  | 772689 |
| 5-4   | Spring               | 2  | 711937 |
| 5-5   | Valve Seat           | 2  | 771740 |
| 5-6   | Pilot Valve Assembly | 2  | 832162 |
| 5-8   | O-ring               | 7  | 640020 |
| 5-9   | Packing              | 2  | 685444 |
| 5-10  | O-ring               | 2  | 640029 |
| 5-11  | Gasket               | 2  | 771742 |
| 5-14  | Gasket               | 1  | 771712 |
| 5-13-8  | Gasket               | 2  | 771738 |
| 5-13-12 Seal  | Seal Ring            | 15 | 771732 |
| 5-13-12 Sleeve  | Sleeve Assembly      | 1  | 803675 |



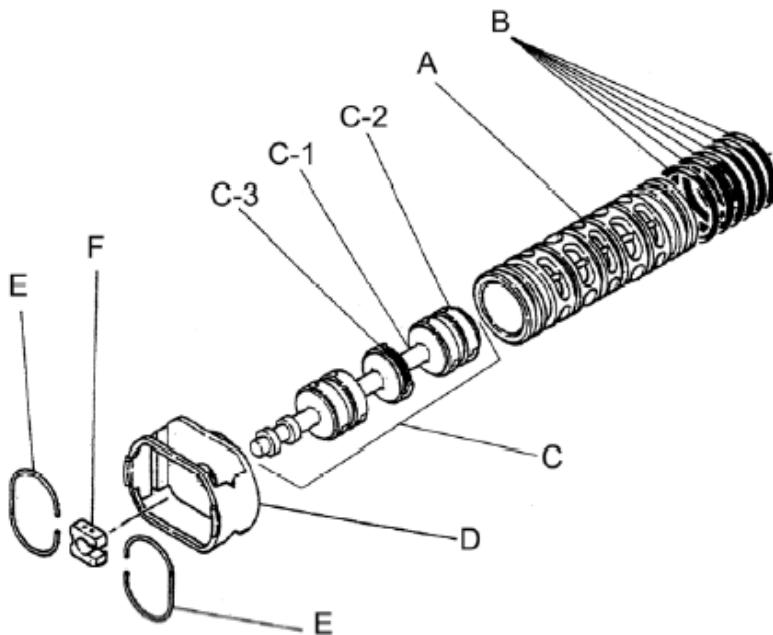
**Body Assembly 803111**

| Reference No. | Description          | Q'ty | Part No. |
|---------------|----------------------|------|----------|
| 5-1           | Air Chamber          | 2    | 711933   |
| 5-2           | Body                 | 1    | 711936   |
| 5-3           | Throat Bearing       | 2    | 772689   |
| 5-4           | Spring               | 2    | 711937   |
| 5-5           | Pilot Valve Seat     | 2    | 771740   |
| 5-6           | Pilot Valve Assembly | 2    | 832162   |
| 5-8           | O-ring               | 2    | 640020   |
| 5-9           | Packing              | 2    | 685444   |
| 5-10          | O-ring               | 2    | 640029   |
| 5-11          | Gasket               | 2    | 771742   |
| 5-12          | Flat Head Bolt       | 12   | 683812   |
| 5-13          | Valve Body Assembly  | 1    | 802971   |
| 5-14          | Gasket               | 1    | 771712   |
| 5-15          | Bolt                 | 6    | 684240   |
| 5-18          | Plain Washer         | 12   | 684987   |

Yamada America, Inc.  
 955 East Algonquin Rd  
 Arlington Heights, IL 60005  
 Phone: 847.631.9200  
 Fax: 847.631.9273  
 www.yamadapump.com



| 802971 Valve Body Assembly |                     |      |          |
|----------------------------|---------------------|------|----------|
| Reference No.              | Description         | Q'ty | Part No. |
| 5-13-1                     | Valve Body          | 1    | 711931   |
| 5-13-2                     | Cap A               | 1    | 580999   |
| 5-13-3                     | Cap B               | 1    | 581000   |
| 5-13-5                     | Spring Stopper      | 1    | 771735   |
| 5-13-6                     | Reset Button        | 1    | 712976   |
| 5-13-8                     | Gasket              | 2    | 771738   |
| 5-13-9                     | Bolt                | 8    | 685036   |
| 5-13-12                    | C Spool Valve Assy. | 1    | 803115   |
| 5-13-12 Seal               | Seal Ring           | 15   | 771732   |
| 5-13-12 Sleeve             | Sleeve Assembly     | 1    | 803675   |
| 5-13-13                    | O-ring              | 1    | 640005   |
| 5-13-14                    | Cushion             | 4    | 684128   |



| 803115 Air Valve Assembly (5-13-12) |                 |      |          |
|-------------------------------------|-----------------|------|----------|
| Reference No.                       | Description     | Q'ty | Part No. |
| A                                   | Sleeve          | 1    | 803675   |
| B                                   | O-ring          | 6    | 640037   |
| C                                   | Spool Assembly  | 1    | 803114   |
| C-1                                 | Spool           | 1    | 771733   |
| C-2                                 | Seal Ring       | 15   | 771732   |
| C-3                                 | O-ring          | 5    | 640020   |
| D                                   | Spring Retainer | 1    | 771735   |
| E                                   | C-Spring        | 2    | 711932   |
| F                                   | Block           | 1    | 771734   |

Yamada America, Inc.  
955 East Algonquin Rd  
Arlington Heights, IL 60005  
Phone: 847.631.9200  
Fax: 847.631.9273  
www.yamadapump.com