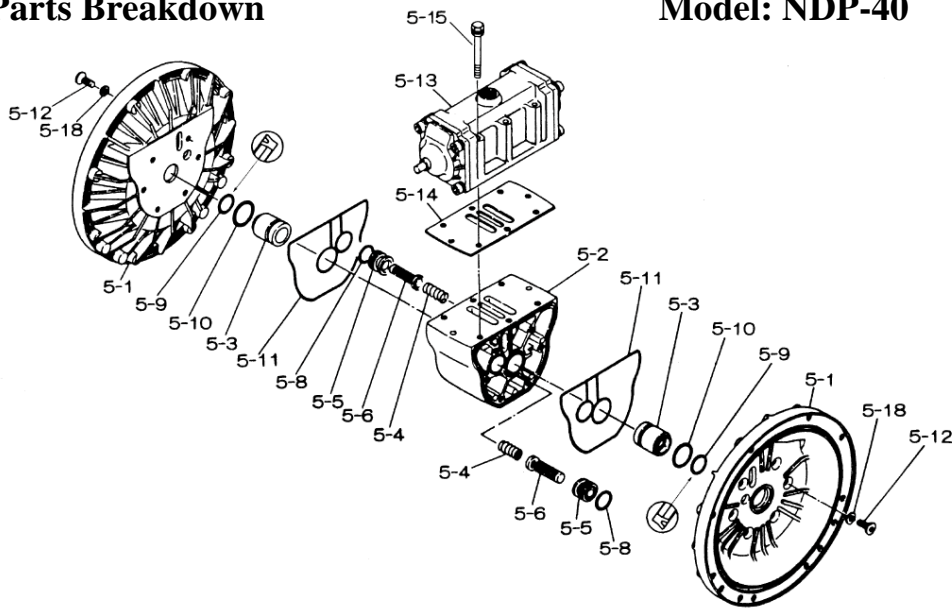


Yamada America, Inc.
955 East Algonquin Rd
Arlington Heights, IL 60005
Phone: 847.631.9200
www.yamadapump.com

Model: NDP-40BFT

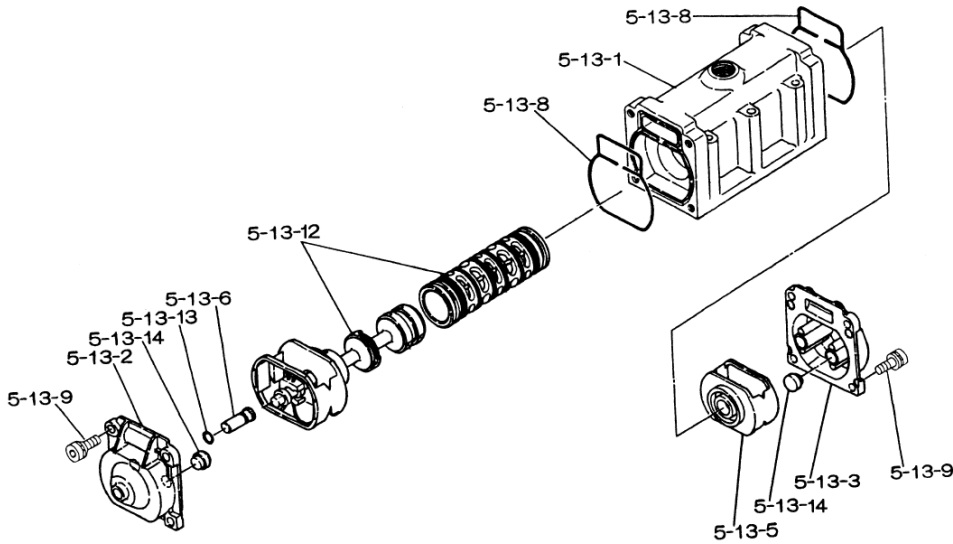


Reference			
No.	Description	Q'ty	NDP-40BFT
1	Out Chamber	2	713156
2	In Manifold	1	713168
3	Out Manifold	1	713165
5	Body Assembly*	1	803111
7	Center Rod	1	711939
8	Center Disk	2	707817
9	Center Disk	2	707818
10	Diaphragm	2	770814
11	Valve Seat	4	711908
12	Ball	4	770692
14	Ball Valve	1	684321
15	Elbow	1	682523
16	Bushing	1	684339
19	Pump Base	2	711911
20	Cushion	4	771402
21	Nut	2	706128
22	Coned Disk Spring	2	682740
23	Bolt	16	611180
24	Plain Washer	24	631014
25	Spring Lock Washer	20	631421
26	Bolt	12	611202
27	Plain Washer	24	631015
28	Spring Lock Washer	12	631422
29	Nut	12	627014
33	Bolt	4	611175
34	Nut	4	627013
35	Bolt	4	611149
36	Nut with Flange	4	682276
40	O-ring	4	643065
41T	O-ring	4	643015
53T	O-ring	4	643136



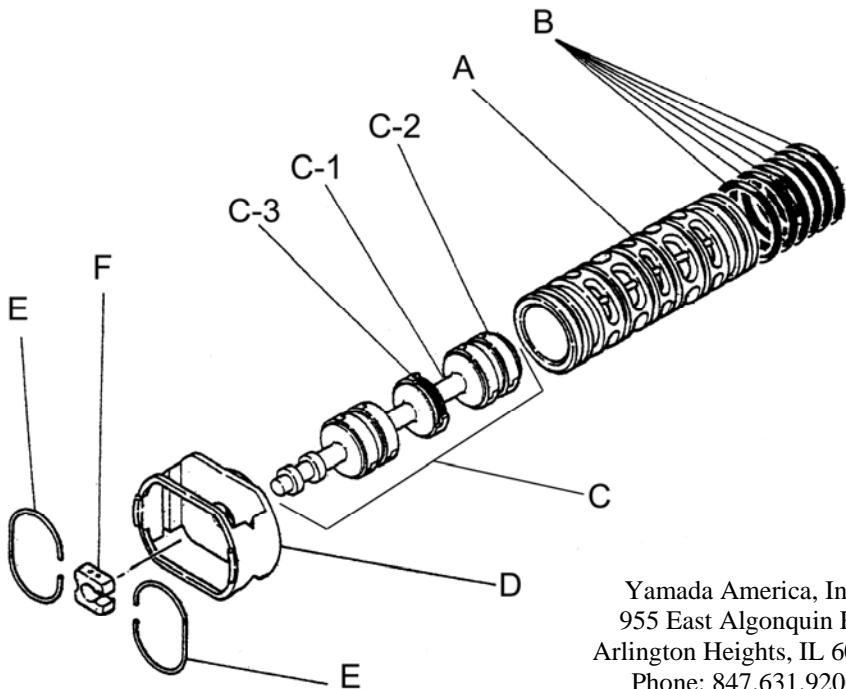
Body Assembly 803111

Reference No.	Description		
5-1	Air Chamber	2	711933
5-2	Body	1	711936
5-3	Throat Bearing	2	772689
5-4	Spring	2	711937
5-5	Valve Seat	2	771740
5-6	Pilot Valve Assembly	2	832162
5-8	O-ring	2	640020
5-9	Packing	2	685444
5-10	O-ring	2	640029
5-11	Gasket	2	771742
5-12	Flat Head Bolt	12	683812
5-13	Valve Body Assembly *	1	802971
5-14	Gasket	1	771712
5-15	Bolt	6	684240
5-18	Plain Washer	12	684987



802971 Valve Body Assembly

Reference No.	Description		
5-13-1	Valve Body	1	711931
5-13-2	Cap A	1	580999
5-13-3	Cap B	1	581000
5-13-5	Spring Stopper	1	771735
5-13-6	Reset Button	1	712976
5-13-8	Gasket	2	771738
5-13-9	Bolt	8	685036
5-13-12	C Spool Valve Assy *	1	803115
5-13-13	O-ring	1	640005
5-13-14	Cushion	4	684128



803115 Air Valve Assembly (5-13-12)

Reference No.	Description		
A	Sleeve	1	803675
B	O-Ring	6	640037
C	Spool Assembly	1	803114
C-1	Spool	1	771733
C-2	Seal Ring	15	771732
C-3	O-Ring	5	640020
D	Spring Retainer	1	771735
E	C-Spring	2	711932
F	Block	1	771734

Yamada America, Inc.
 955 East Algonquin Rd
 Arlington Heights, IL 60005
 Phone: 847.631.9200
 www.yamadapump.com

